

PARTS LIST

[MX-K3]

* All printed circuit boards and its assemblies are not available as service parts.

Area suffix

J ----- U.S.A.
C ----- Canada

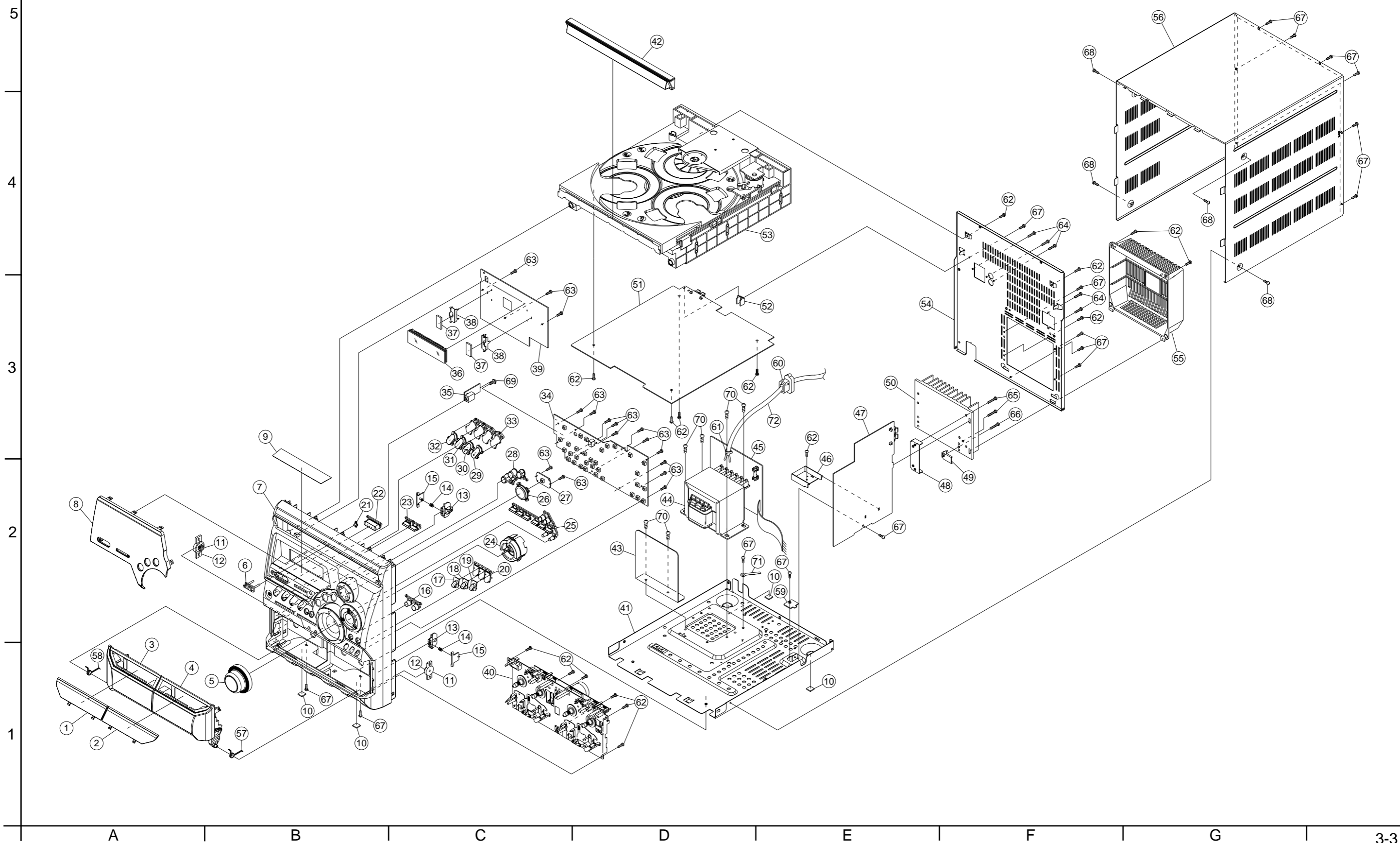
- Contents -

Exploded view of general assembly and parts list	3- 3
Cassette mechanism assembly and parts list	3- 5
CD changer mechanism assembly and parts list	3- 6
Electrical parts list	3- 9
Packing materials and accessories parts list	3-20

< M E M O >

Exploded view of general assembly and parts list

Block No. **M 1 M M**



■ Parts list (General assembly)

Block No. M1MM

△	Item	Parts number	Parts name	Q'ty	Description	Area
	1	GJ4C05322001A0	CASSETTE LENS L	1		
	2	GJ4C05321001A0	CASSETTE LENS R	1		
	3	GJ4A05319001E0	CASSETTE DOOR L	1		
	4	GJ4A05320001E0	CASSETTE DOOR R	1		
	5	GJ4A05303001B0	VOLUME KNOB	1		
	6	GJ460170330201	JVC LOGO	1		
	7	GJ4B05317101E0	FRONT CABINET	1		
	8	GJ4A05316001C0	DISPLAY LENS	1		
	9	GJ772007940101	LABEL	1		
	10	GJ763000320106	FELT SHEET	4		
	11	GJ660490020101	GEAR	2		
	12	GJ660490030101	GEAR BASE	2		
	13	GJ422250501	LOCK HOLDER	2		
	14	GJ422253701	COMPRESION SPRING	2	LOCK	
	15	GJ460400250101	DOOR LOCK HOLDER	2		
	16	GJ4A05306001E0	DISC EJECT KNOB	1		
	17	GJ4C05304001C0	CD SELECT KNOB 1	1		
	18	GJ4C05304002C0	CD SELECT KNOB 2	1		
	19	GJ4C05304003C0	CD SELECT KNOB 3	1		
	20	GJ4A05305001A0	BASE MOLD -1	1		
	21	GJ4C05318001A0	POWER INDICATOR	1		
	22	GJ4A05307001B0	POWER BUTTON 1	1		
	23	GJ4A05308001A0	BUTTON	1	SET/CANCEL/DEMO	
	24	GJ4A05302001E0	KNOB	1	SOUND MODE	
	25	GJ4A05311001E0	BUTTON	1	SUB+FFWD/FREW	
	26	GJ4A05301001E0	KNOB	1	ACTIVE BASS EX	
	27	-----	SWITCH BOARD 1	1		
	28	GJ4A05312001E0	STOP BUTTON	1	STOP+SKIP+SEARCH	
	29	GJ4C05309003C0	TAPE BUTTON	1		
	30	GJ4C05325001C0	CD BUTTON	1		
	31	GJ4C05309002C0	FM/AM BUTTON	1		
	32	GJ4C05309001C0	AUX BUTTON	1		
	33	GJ4A05310001A0	BASE MOLD - 2	1		
	34	-----	SWITCH BOARD 2	1		
	35	-----	HEAD PHON BOARD	1		
	36	GJ373020041000	FL DISPLAY	1	BJ828GNK	
	37	GJ793000150001	SPONGY	2		
	38	GJ560530400101	DISPLAY BRACKET	2		
	39	-----	CONTROL BOARD	1		
	40	-----	CASSETTE MECHA	1	CMT6Z219A	
	41	GJ560530200101	BOTTOM CASE	1		
	42	GJ4B05315001E0	CD FITTING	1		
	43	GJ560170060101	TRANS.SHIELD	1		
△	44	GJ336660160013	POWER TRANS.	1		
	45	-----	POWER SUPPLY BOARD	1		
	46	GJ780000180100	HEAT SINK	1		
	47	-----	POWER AMP BOARD	1		
	48	GJ560400060201	IC BRACKET	1		

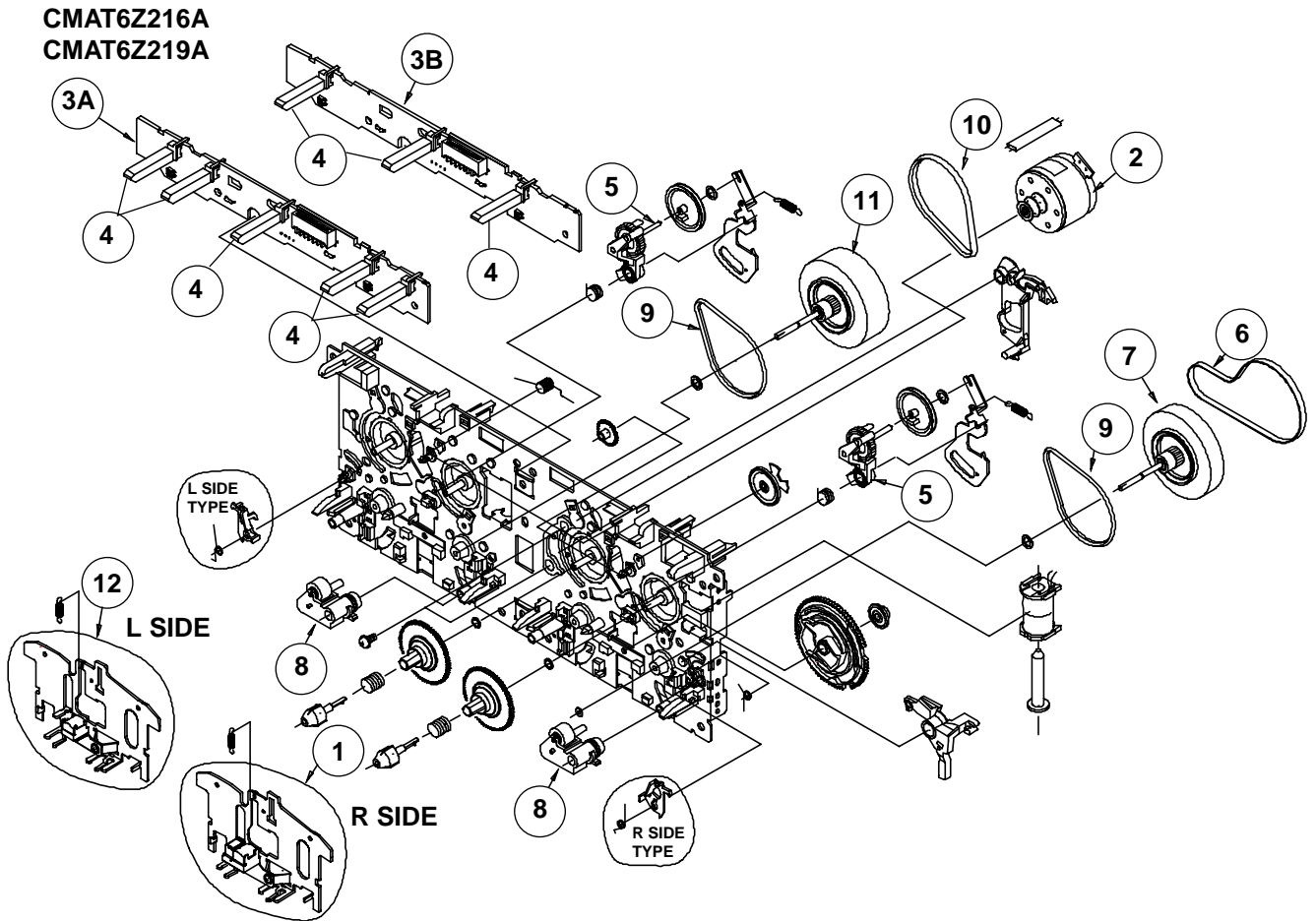
■ Parts list (General assembly)

Block No. M1MM

△	Item	Parts number	Parts name	Q'ty	Description	Area
	49	GJ560170110101	BRACKET B	1		
	50	GJ780000210202	HEAT SINK	1		
	51	-----	MAIN BOARD	1		
	52	GJ560170040101	PCB BRACKET	1		
	53	-----	CD CHANGER UNIT	1		
	54	GJ560530300203	REAR CASE	1		
	55	GJ460400420101	HEAT SINK COVER	1		
	56	560530100101/S/	TOP CASE	1		
	57	GJ711001850100	C. DOOR SPRING R	1		
	58	GJ711001840100	C. DOOR SPRING L	1		
	59	GJ560170290101	OPENING BRACKET	1		
△	60	GJ796000030000	CORD BUSHING	1		
	61	GJ732000010101	CABLE TIY	1		
	62	GJ702244300812	SCREW	16	3X8	
	63	GJ702244260812	SCREW	16	2.6X8	
	64	GJ702244301012	SCREW	5	3X10	
	65	GJ702244301812	SCREW	2	3X18	
	66	GJ702244301412	SCREW	1	3X14	
	67	GJ702244300612	SCREW	16	3X6	
	68	GJ702244300652	SCREW	4	3X6	
	69	GJ703260800100	SPECIAL SCREW	1	2.6X8	
	70	GJ702264400612	SCREW	6	4X6	
	71	GJ727540540503	SOLDER TAG	1		
△	72	GJ350162001119	AC POWER CORD	1	UL/CSA 7A120V	

Cassette mechanism assembly and parts list

Block No. M 2 M M



Note: Parts listed on the Parts List below can be supplied. However, parts that are not listed below cannot be supplied individually but only by purchasing the whole Cassette Mechanism Assembly Unit. (When ordering, use the Parts No. CMAT6Z216A or CMAT6Z219A for Cassette Mechanism Assembly Unit.)

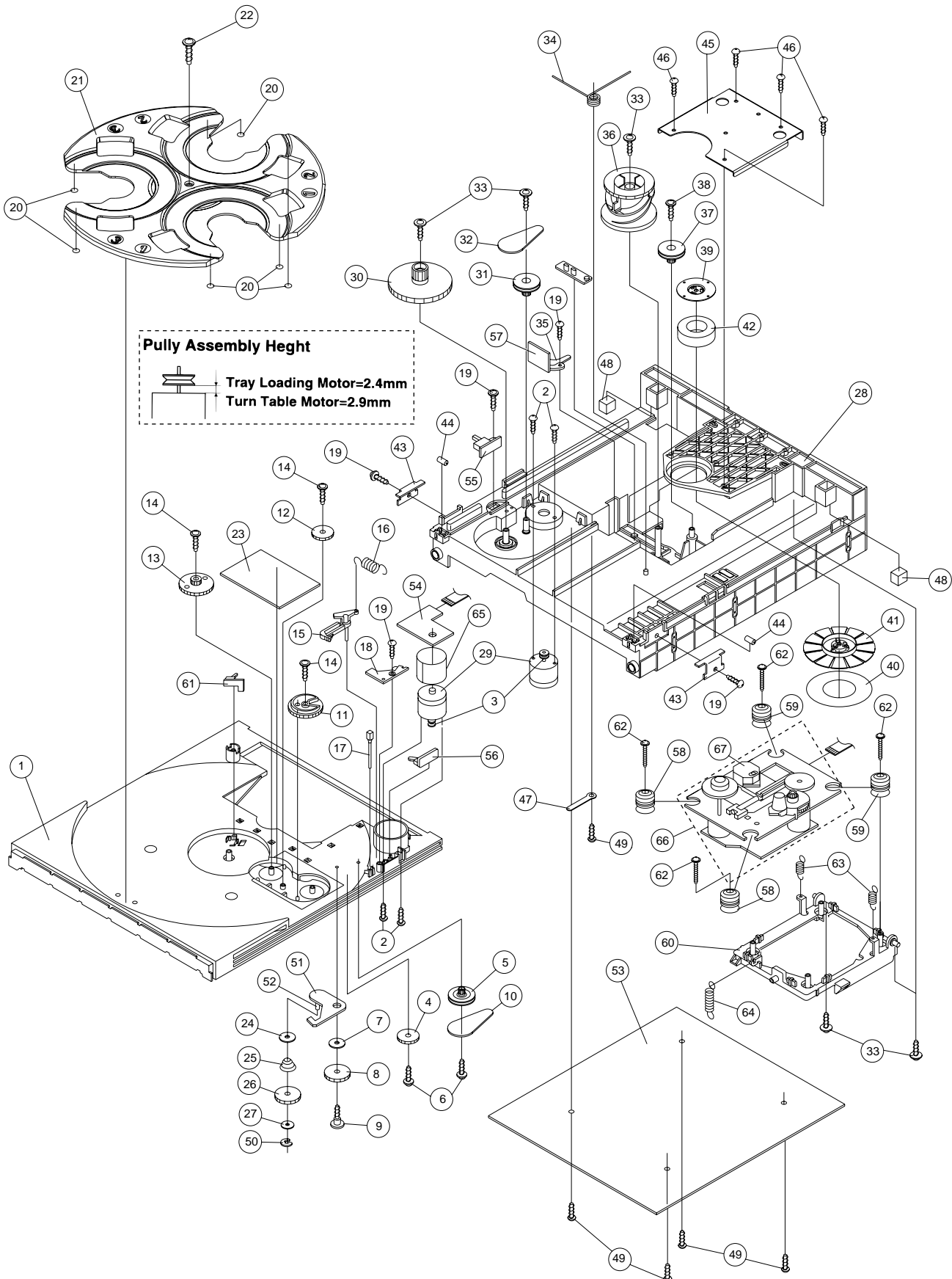
Parts list (Cassette mechanism)

Block No. M2MM

△	Item	Parts number	Parts name	Q'ty	Description	Area
	1	F513-858	PLATE HD BLK	1		
	2	F525-338	MTR MAIN BLK	1		
	3A	-----	PCB CONTROL BLK	1	CMAT6Z216A	
	3B	-----	PCB CONTROL BLK	1	CMAT6Z219A	
	4	UE20P-12	LEAF SWITCH	5	CMAT6Z216A	
		UE20P-12	LEAF SWITCH	3	CMAT6Z219A	
	5	F522-063	CLUTCH ASSY BLK	2		
	6	FF19U-12	MAIN BELT	1		
	7	FR25P-11	ASSY F/W	1		
	8	F514-135	ROLLER PINCH BLK R	2		
	9	FF19S-31	F/R BELT MO	2		
	10	FF19N-11	MAIN BELT	1		
	11	FR25R-11	ASSY F/W	1		
	12	F513-855	PLATE HD BLK	1		

CD changer mechanism assembly and parts list

Block No. M 3 M M



Parts list (CD changer mechanism)
Block No. M3MM

△	Item	Parts number	Parts name	Q'ty	Description	Area
	1	GJ4A0430201A1	TRAY	1		
	2	GJ701222260432	SCREW	4	M2.6X4	
	3	GJ4D01068100A1	MOTOR PULLEY	2	VE75984	
	4	GJ4D04300501A1	RELAY GEAR-A	1		
	5	GJ4D04301801A1	PULLEY GEAR	1		
	6	GJ700263260812	SCREW	2	2.6X8	
	7	GJ721271400500	METAL WASHER	1	2.7X14X0.5T	
	8	GJ4D04300601A1	RELAY GEAR-B	1		
	9	GJ703260000100	SCREW	1	SPECIAL	
	10	GJ560430010101	LOADING BELT	1		
	11	GJ4D04300901A1	TRAY LOCK GEAR	1		
	12	GJ4D04301001A1	RELAY GEAR-C	1		
	13	GJ4D04301101A1	TRAY GEAR	1		
	14	GJ700263260612	SCREW	3	2.6X6	
	15	GJ4D04301301A2	S.S.W. LEVER	1	SENSOR	
	16	GJ711001630100	SPRING	1	SENSOR SWITCH	
	17	GJ460430220101	CUSHION RUBBER	1		
	18	GJ460430230101	GUIDE BRACKET	1	SENSOR SWICH	
	19	GJ70022320812	SCREW	5	2.6X8	
	20	GJ761000190100	CUSHION	6		
	21	GJ4A04300101A1	TURRETTO	1		
	22	GJ700263261042	SCREW	1	2.6X10 BLACK	
	23	GJ560430050101	BLIND SHEET	1		
	24	GJ729421400300	WASHER	1	4X14X0.3T	
	25	GJ711001620100	SPRING	1	CHANGER GEAR	
	26	GJ4D04300701A1	CHANGER GEAR	1		
	27	GJ721311000500	WASHER	1	3.1X10X0.5T	
	28	GJ4B04301201A2	MAIN CHASSIS	1		
	29	GJ381020310004	MOTOR	2	TRAY MOTOR	
	30	GJ4L04301901A1	SLIDE GEAR	1		
	31	GJ4D04300401A1	GEAR PULLEY -A	1		
	32	GJ560430060101	GEAR BELT	1	LOADING	
	33	GJ703330800202	SCREW	5	3X8	
	34	GJ711001640100	SPRING	1	CAM BRACKET	
	35	GJ460430160101	SWITCH LEVER	1		
	36	GJ4D04301401A1	UD CAM GEAR	1		
	37	GJ4D04301501A1	UD REDUCE GEAR	1		
	38	GJ700264200812	SCREW	1	2X10	
	39	GJ793312711	CHUCKING YOKE	1		
	40	GJ763000440100	FELT	1	35X65X0.5T	
	41	GJ4A04301703A1	CLAMPER	1		
	42	GJ383000040100	MAGNET	1		
	43	GJ560430070101	RAIL GUIDE	2		
	44	GJ4D04302001A1	ROLLER	2		
	45	GJ560430100101	M.C. BRACKET	1	MAIN CHASSIS	
	46	GJ700221300510	SCREW	4	3X5	
	47	GJ560430110101	EARTH TERMINAL	1		
	48	GJ761000220100	CUSHION	2	12X8X5T	

■ Parts list (CD changer mechanism)

Block No. M3MM

△	Item	Parts number	Parts name	Q'ty	Description	Area
	49	GJ768564711	SCREW	5	3X10	
	50	GJ560430090101	E-RING	1		
	51	GJA2039002001A	CHANGE PLATE	1		
	52	GJ560430030101	C. GEAR SHAFT	1		
	53	-----	MAIN PWB ASS'Y	1		
	54	-----	SWITCH PWB	1	TURN TABLE	
	55	-----	SWITCH PWB	1	TRAY SWITCH	
	56	-----	SWITCH PWB	1	DISC COUNT	
	57	-----	SWITCH PWB	1	PICK-UP	
	58	GJ302237001	RUBBER	2	VIBRATION PROOF	
	59	GJ302237011	RUBBER	2	VIBRATION PROOF	
	60	GJ4004302101A1	MECHA BASE	1		
	61	GJ390170021204	DIRECT SWITCH	1		
	62	GJ700264261840	SCREW	4	2.6X8	
	63	GJ711001650100	SPRING	2	PU	
	64	GJ711001660100	SPRING	1	PU -A	
	65	GJ560533800101	SHIELD RING	1		
	66	EXL-M71-03	CD TRA.MECHA	1	WITH PIC UP	
	67	OPTIMA-7B	PIC UP ASS'Y	1		

■ Electrical parts list (Main board)

Block No. 01

△	Item	Parts number	Parts name	Remarks	Area
C 1		GJ116259621	A.CAPACITOR	25V F Z 0.022UF	
C 2		GJ116222821	A.CAPACITOR	50V CH J 4.7PF	
C 3		GJ116229421	A.CAPACITOR	50V B K 1000PF	
C 4		GJ116259621	A.CAPACITOR	25V F Z 0.022UF	
C 5		GJ111067121	C.CAPACITOR	47000PF F Z 50V	
C 6		GJ116219921	A.CAPACITOR	50V SL J 10PF	
C 7		GJ116223421	A.CAPACITOR	50V CH J 12PF	
C 8		GJ116222921	A.CAPACITOR	50V CH J 5.6PF	
C 9		GJ111067121	C.CAPACITOR	47000PF F Z 50V	
C 10		GJ116230621	A.CAPACITOR	16V Y M 0.01UF	
C 11		GJ111067121	C.CAPACITOR	47000PF F Z 50V	
C 12		GJ116230621	A.CAPACITOR	16V Y M 0.01UF	
C 13		GJ270111070310	E.CAPACITOR	10V M 100UF	
C 14		GJ116259621	A.CAPACITOR	25V F Z 0.022UF	
C 15		GJ116259621	A.CAPACITOR	25V F Z 0.022UF	
C 16		GJ270141060310	E.CAPACITOR	25V VX M 10UF	
C 17		GJ116222621	A.CAPACITOR	50V CH J 3.3PF	
C 18		GJ116230621	A.CAPACITOR	16V Y M 0.01UF	
C 19		GJ116230621	A.CAPACITOR	16V Y M 0.01UF	
C 20		GJ116230621	A.CAPACITOR	16V Y M 0.01UF	
C 21		GJ116223121	A.CAPACITOR	50V CH J 8.2PF	
C 22		GJ116229421	A.CAPACITOR	50V B K 1000PF	
C 23		GJ116230621	A.CAPACITOR	16V Y M 0.01UF	
C 24		GJ116229421	A.CAPACITOR	50V B K 1000PF	
C 25		GJ270144750310	E.CAPACITOR	25V VX M 4.7UF	
C 26		GJ264266822101	A.CAPACITOR	16V X M 0.0068UF	
C 27		GJ116228821	A.CAPACITOR	50V B K 330PF	
C 28		GJ282034742415	M.CAPACITOR	50V J 0.47UF	
C 29		GJ270192240310	E.CAPACITOR	50V VX M 0.22UF	
C 30		GJ270193350310	E.CAPACITOR	50V VX M 3.3UF	
C 33		GJ270192260310	E.CAPACITOR	50V M 22UF	
C 34		GJ116259621	A.CAPACITOR	25V F Z 0.022UF	
C 36		GJ283101832415	POL FILM CAPACITOR	50V K 0.018UF	
C 37		GJ283101832415	POL FILM CAPACITOR	50V K 0.018UF	
C 38		GJ116229421	A.CAPACITOR	50V B K 1000PF	
C 39		GJ116229421	A.CAPACITOR	50V B K 1000PF	
C 40		GJ270192250310	E.CAPACITOR	50V VX M 2.2UF	
C 41		GJ270192250310	E.CAPACITOR	50V VX M 2.2UF	
C 42		GJ116229421	A.CAPACITOR	50V B K 1000PF	
C 43		GJ116229421	A.CAPACITOR	50V B K 1000PF	
C 50		GJ270124760310	E.CAPACITOR	16V M 47UF	
C 51		GJ116223421	A.CAPACITOR	50V CH J 12PF	
C 52		GJ116223421	A.CAPACITOR	50V CH J 12PF	
C 53		GJ282031052415	M.CAPACITOR	50V J 1UF	
C 54		GJ283103922415	POL FILM CAPACITOR	50V K 0.0039UF	
C 55		GJ116229021	A.CAPACITOR	50V B K 470PF	
C 56		GJ116230621	A.CAPACITOR	16V Y M 0.01UF	
C 57		GJ116230621	A.CAPACITOR	16V Y M 0.01UF	
C 58		GJ116229421	A.CAPACITOR	50V B K 1000PF	
C 59		GJ270111070310	E.CAPACITOR	10V M 100UF	
C 60		GJ116230621	A.CAPACITOR	16V Y M 0.01UF	
C 61		GJ116228221	A.CAPACITOR	50V B K 100PF	
C 62		GJ116228221	A.CAPACITOR	50V B K 100PF	
C 63		GJ116228221	A.CAPACITOR	50V B K 100PF	
C 65		GJ116259621	A.CAPACITOR	25V F Z 0.022UF	
C 66		GJ270124760310	E.CAPACITOR	16V M 47UF	
C 101		GJ116228221	A.CAPACITOR	50V B K 100PF	
C 102		GJ270191050310	E.CAPACITOR	50V VX M 1UF	
C 103		GJ270191050310	E.CAPACITOR	50V VX M 1UF	
C 104		GJ270191050310	E.CAPACITOR	50V VX M 1UF	
C 105		GJ270191050310	E.CAPACITOR	50V VX M 1UF	
C 106		GJ270144750310	E.CAPACITOR	25V VX M 4.7UF	
C 107		GJ270144750310	E.CAPACITOR	25V VX M 4.7UF	

△	Item	Parts number	Parts name	Remarks	Area
C 108		GJ270144750310	E.CAPACITOR	25V VX M 4.7UF	
C 109		GJ270144750310	E.CAPACITOR	25V VX M 4.7UF	
C 110		GJ283108232415	POL FILM CAPACI	50V K 0.082UF	
C 111		GJ283108232415	POL FILM CAPACI	50V K 0.082UF	
C 112		GJ283105622415	POL FILM CAPACI	50V K 0.0056UF	
C 113		GJ283101242415	POL FILM CAPACI	50V K 0.12UF	
C 114		GJ283101042415	POL FILM CAPACI	50V K 0.1UF	
C 115		GJ270111070310	E.CAPACITOR	10V M 100UF	
C 116		GJ270191050310	E.CAPACITOR	50V VX M 1UF	
C 201		GJ116228221	A.CAPACITOR	50V B K 100PF	
C 202		GJ270191050310	E.CAPACITOR	50V VX M 1UF	
C 203		GJ270191050310	E.CAPACITOR	50V VX M 1UF	
C 204		GJ270191050310	E.CAPACITOR	50V VX M 1UF	
C 205		GJ270191050310	E.CAPACITOR	50V VX M 1UF	
C 206		GJ270144750310	E.CAPACITOR	25V VX M 4.7UF	
C 207		GJ270144750310	E.CAPACITOR	25V VX M 4.7UF	
C 208		GJ270144750310	E.CAPACITOR	25V VX M 4.7UF	
C 209		GJ270144750310	E.CAPACITOR	25V VX M 4.7UF	
C 210		GJ283108232415	POL FILM CAPACITOR	50V K 0.082UF	
C 211		GJ283108232415	POL FILM CAPACITOR	50V K 0.082UF	
C 212		GJ283105622415	POL FILM CAPACITOR	50V K 0.0056UF	
C 213		GJ283101242415	POL FILM CAPACITOR	50V K 0.12UF	
C 214		GJ283101042415	POL FILM CAPACITOR	50V K 0.1UF	
C 215		GJ270111070310	E.CAPACITOR	10V M 100UF	
C 216		GJ270191050310	E.CAPACITOR	50V VX M 1UF	
C 301		GJ116229421	A.CAPACITOR	50V B K 1000PF	
C 303		GJ270192250310	E.CAPACITOR	50V VX M 2.2UF	
C 304		GJ116229421	A.CAPACITOR	50V B K 1000PF	
C 305		GJ270121070310	E.CAPACITOR	16V VX M 100UF	
C 306		GJ270114760310	E.CAPACITOR	10V M 47UF	
C 307		GJ116229321	A.CAPACITOR	50V B K 820PF	
C 308		GJ283101532415	POL FILM CAPACITOR	50V K 0.015UF	
C 309		GJ116230621	A.CAPACITOR	16V Y M 0.01UF	
C 310		GJ270121070310	E.CAPACITOR	16V VX M 100UF	
C 311		GJ283106822415	POL FILM CAPACITOR	50V K 0.0068UF	
C 312		GJ282031032415	M.CAPACITOR	50V J 0.01UF	
C 313		GJ116230621	A.CAPACITOR	16V Y M 0.01UF	
C 314		GJ116230621	A.CAPACITOR	16V Y M 0.01UF	
C 315		GJ116230621	A.CAPACITOR	16V Y M 0.01UF	
C 316		GJ116230621	A.CAPACITOR	16V Y M 0.01UF	
C 317		GJ270121070310	E.CAPACITOR	16V VX M 100UF	
C 318		GJ270144750310	E.CAPACITOR	25V VX M 4.7UF	
C 319		GJ270121080110	E.CAPACITOR	16V M 1000UF	
C 320		GJ116228421	A.CAPACITOR	50V B K 150PF	
C 321		GJ116228421	A.CAPACITOR	50V B K 150PF	
C 322		GJ116228421	A.CAPACITOR	50V B K 150PF	
C 323		GJ116230621	A.CAPACITOR	16V Y M 0.01UF	
C 324		GJ270111070310	E.CAPACITOR	10V M 100UF	
C 325		GJ270192250310	E.CAPACITOR	50V VX M 2.2UF	
C 326		GJ116230621	A.CAPACITOR	16V Y M 0.01UF	
C 327		GJ270121060310	E.CAPACITOR	16V M 10UF	
C 328		GJ270124760310	E.CAPACITOR	16V M 47UF	
C 329		GJ116230621	A.CAPACITOR	16V Y M 0.01UF	
C 330		GJ116228221	A.CAPACITOR	50V B K 100PF	
C 331		GJ270111070310	E.CAPACITOR	10V M 100UF	
C 332		GJ270124760310	E.CAPACITOR	16V M 47UF	
C 334		GJ270191050310	E.CAPACITOR	50V VX M 1UF	
C 335		GJ270144750310	E.CAPACITOR	25V VX M 4.7UF	
C 336		GJ270191050310	E.CAPACITOR	50V VX M 1UF	
C 337		GJ270124760310	E.CAPACITOR	16V M 47UF	
C 338		GJ116229421	A.CAPACITOR	50V B K 1000PF	
C 341		GJ116230621	A.CAPACITOR	16V Y M 0.01UF	
C 342		GJ116230621	A.CAPACITOR	16V Y M 0.01UF	

■ Electrical parts list (Main board)

Block No. 01

△	Item	Parts number	Parts name	Remarks	Area
	C 343	GJ270121080110	E.CAPACITOR	16V M 1000UF	
	C 345	GJ116230621	A.CAPACITOR	16V Y M 0.01UF	
	C 346	GJ270121060310	E.CAPACITOR	16V M 10UF	
	C 371	GJ116230621	A.CAPACITOR	16V Y M 0.01UF	
	C 401	GJ116229221	C.CAPACITOR	680PF BX 10% 50V	
	C 402	GJ116229221	C.CAPACITOR	680PF BX 10% 50V	
	C 403	GJ1162221121	A.CAPACITOR	50V SL J 33PF	
	C 404	GJ283101832415	POL FILM CAPACITOR	50V K 0.018UF	
	C 405	GJ270111070310	E.CAPACITOR	10V M 100UF	
	C 407	GJ270144750310	E.CAPACITOR	25V VX M 4.7UF	
	C 408	GJ270144750310	E.CAPACITOR	25V VX M 4.7UF	
	C 409	GJ116229421	A.CAPACITOR	50V B K 1000PF	
	C 410	GJ264263322101	A.CAPACITOR	16V X M 0.0033UF	
	C 411	GJ270141060310	E.CAPACITOR	25V VX M 10UF	
	C 413	GJ260771812412	C.CAPACITOR	50V SL J 180PF	
	C 414	GJ116229421	A.CAPACITOR	50V B K 1000PF	
	C 415	GJ270144750310	E.CAPACITOR	25V VX M 4.7UF	
	C 417	GJ116229021	A.CAPACITOR	50V B K 470PF	
	C 418	GJ116230221	A.CAPACITOR	16V X M 0.0022UF	
	C 501	GJ116229221	C.CAPACITOR	680PF BX 10% 50V	
	C 502	GJ116229221	C.CAPACITOR	680PF BX 10% 50V	
	C 503	GJ1162221121	A.CAPACITOR	50V SL J 33PF	
	C 504	GJ283101832415	POL FILM CAPACITOR	50V K 0.018UF	
	C 505	GJ270111070310	E.CAPACITOR	10V M 100UF	
	C 507	GJ270144750310	E.CAPACITOR	25V VX M 4.7UF	
	C 508	GJ270144750310	E.CAPACITOR	25V VX M 4.7UF	
	C 509	GJ116229421	A.CAPACITOR	50V B K 1000PF	
	C 510	GJ264263322101	A.CAPACITOR	16V X M 0.0033UF	
	C 511	GJ270141060310	E.CAPACITOR	25V VX M 10UF	
	C 513	GJ260771812412	C.CAPACITOR	50V SL J 180PF	
	C 514	GJ116229421	A.CAPACITOR	50V B K 1000PF	
	C 515	GJ270144750310	E.CAPACITOR	25V VX M 4.7UF	
	C 517	GJ116229021	A.CAPACITOR	50V B K 470PF	
	C 518	GJ116230221	A.CAPACITOR	16V X M 0.0022UF	
	C 601	GJ282033342499	M.CAPACITOR	50V J 0.33UF	
	C 602	GJ116230221	A.CAPACITOR	16V X M 0.0022UF	
	C 603	GJ116230221	A.CAPACITOR	16V X M 0.0022UF	
	C 604	GJ116230221	A.CAPACITOR	16V X M 0.0022UF	
	C 605	GJ270112270310	E.CAPACITOR	10V VX M 220UF	
	C 606	GJ116256191	C.CAPACITOR	0.1MF F Z% 16V	
	C 607	GJ116259621	A.CAPACITOR	25V F Z 0.022UF	
	C 608	GJ116256191	C.CAPACITOR	0.1MF F Z% 16V	
	C 610	GJ270112270310	E.CAPACITOR	10V VX M 220UF	
	C 611	GJ116256191	C.CAPACITOR	0.1MF F Z% 16V	
	C 612	GJ116259621	A.CAPACITOR	25V F Z 0.022UF	
	C 613	GJ116259621	A.CAPACITOR	25V F Z 0.022UF	
	C 614	GJ113718891	M.CAPACITOR	0.15MF 5% 50V	
	C 615	GJ282031052415	M.CAPACITOR	50V J 1UF	
	C 616	GJ116223421	A.CAPACITOR	50V CH J 12PF	
	C 617	GJ116223421	A.CAPACITOR	50V CH J 12PF	
	C 618	GJ1162696491	E.CAPACITOR	10MF 20% 50V	
	C 619	GJ116256191	C.CAPACITOR	0.1MF F Z% 16V	
	C 620	GJ116256191	C.CAPACITOR	0.1MF F Z% 16V	
	C 621	GJ270112270310	E.CAPACITOR	10V VX M 220UF	
	C 622	GJ270121060310	E.CAPACITOR	16V M 10UF	
	C 624	GJ270114760310	E.CAPACITOR	10V M 47UF	
	C 626	GJ116256191	C.CAPACITOR	0.1MF F Z% 16V	
	C 627	GJ1162221121	A.CAPACITOR	50V SL J 33PF	
	C 628	GJ283103932415	POL FILM CAPACITOR	50V K 0.039UF	
	C 629	GJ111067121	C.CAPACITOR	47000PF F Z 50V	
	C 630	GJ116230221	A.CAPACITOR	16V X M 0.0022UF	
	C 631	GJ270112270310	E.CAPACITOR	10V VX M 220UF	
	C 632	GJ111067121	C.CAPACITOR	47000PF F Z 50V	

△	Item	Parts number	Parts name	Remarks	Area
	C 633	GJ283101522415	POL FILM CAPACITOR	50V K 0.0015UF	
	C 634	GJ264264722101	A.CAPACITOR	16V X M 0.0047UF	
	C 635	GJ283101042415	POL FILM CAPACITOR	50V K 0.1UF	
	C 636	GJ116259621	A.CAPACITOR	25V F Z 0.022UF	
	C 637	GJ282034742415	M.CAPACITOR	50V J 0.47UF	
	C 638	GJ116256191	C.CAPACITOR	0.1MF F Z% 16V	
	C 639	GJ270111070310	E.CAPACITOR	10V M 100UF	
	C 640	GJ116259621	A.CAPACITOR	25V F Z 0.022UF	
	C 642	GJ116219921	A.CAPACITOR	50V SL J 10PF	
	C 643	GJ116228221	A.CAPACITOR	50V B K 100PF	
	C 644	GJ116259621	A.CAPACITOR	25V F Z 0.022UF	
	C 645	GJ116259621	A.CAPACITOR	25V F Z 0.022UF	
	C 646	GJ283102722415	POL FILM CAPACITOR	50V K 0.0027UF	
	C 647	GJ283102722415	POL FILM CAPACITOR	50V K 0.0027UF	
	C 648	GJ116259621	A.CAPACITOR	25V F Z 0.022UF	
	C 649	GJ1162696491	E.CAPACITOR	10MF 20% 50V	
	C 650	GJ270112270310	E.CAPACITOR	10V VX M 220UF	
	C 651	GJ116259621	A.CAPACITOR	25V F Z 0.022UF	
	C 652	GJ116228921	A.CAPACITOR	50V B K 390PF	
	C 653	GJ116228921	A.CAPACITOR	50V B K 390PF	
	C 654	GJ283106822415	POL FILM CAPACITOR	50V K 0.0068UF	
	C 656	GJ264264722101	A.CAPACITOR	16V X M 0.0047UF	
	C 658	GJ116228921	A.CAPACITOR	50V B K 390PF	
	C 659	GJ116228921	A.CAPACITOR	50V B K 390PF	
	C 660	GJ116229421	A.CAPACITOR	50V B K 1000PF	
	C 661	GJ116229421	A.CAPACITOR	50V B K 1000PF	
	C 673	GJ116228221	A.CAPACITOR	50V B K 100PF	
	C 690	GJ116229021	A.CAPACITOR	50V B K 470PF	
	C 797	GJ112427491	BIPOLAR CAPACITOR	4.7MF 50V	
	CF 1	GJ176012711	CERAMIC FILTER	CDA10.7 MG74	
	CF 2	GJ176012711	CERAMIC FILTER	CDA10.7 MG74	
	CF 3	GJ176012711	CERAMIC FILTER	CDA10.7 MG74	
	CN301	GJ340022210102	FFC CONNECTOR	FFC/FPC 21PIN	
	CN302	GJ340022200102	FFC CONNECTOR	FFC/FPC 20PIN	
	CN305	GJ340022130102	FFC CONNECTOR	FFC/FPC 13PIN	
	CN307	GJ345202030101	WAFER	3PINS	
	CN308	GJ345202080101	WAFER	8PIN	
	CN601	GJ340122150102	FFC CONNECTOR	FFC/FPC 15PIN	
	CN602	GJ345201060101	WAFER	6PINS	
	CN603	GJ345202070101	WAFER	7PINS	
	CN604	GJ340022050102	FFC CONNECTOR	FFC/FPC 5PIN	
	CN605	GJ340021050109	FFC CONNECTOR	FFC/FPC 5PIN	
	D 1	GJ871999133	DIODE	1SS133T-77	
	D 2	GJ871999133	DIODE	1SS133T-77	
	D 3	GJ871999133	DIODE	1SS133T-77	
	D 4	GJ871999133	DIODE	1SS133T-77	
	D 5	GJ871999133	DIODE	1SS133T-77	
	D 6	GJ871999133	DIODE	1SS133T-77	
	D 7	GJ310050080104	VARIABLE DIODE	SVC203SPA-JV	
	D 8	GJ310050080104	VARIABLE DIODE	SVC203SPA-JV	
	D 9	GJ871999133	DIODE	1SS133T-77	
	D 10	GJ871999133	DIODE	1SS133T-77	
	D 11	GJ871999133	DIODE	1SS133T-77	
	D 50	GJ871999133	DIODE	1SS133T-77	
	D 51	GJ871999133	DIODE	1SS133T-77	
	D 307	GJ871992333	ZENER DIODE	MTZJ-T-77-5.1A	
	D 308	GJ871999133	DIODE	1SS133T-77	
	D 309	GJ871999133	DIODE	1SS133T-77	
	D 310	GJ871999133	DIODE	1SS133T-77	
	D 311	GJ871999133	DIODE	1SS133T-77	
	D 312	GJ871999133	DIODE	1SS133T-77	
	D 313	GJ871999133	DIODE	1SS133T-77	
	D 321	GJ871999133	DIODE	1SS133T-77	

■ Electrical parts list (Main board)

Block No. 01

△	Item	Parts number	Parts name	Remarks	Area
	D 322	GJ871999133	DIODE	1SS133T-77	
	D 323	GJ310020020104	DIODE	1N4001	
	D 324	GJ871999133	DIODE	1SS133T-77	
	D 601	GJ871999133	DIODE	1SS133T-77	
	D 602	GJ871999133	DIODE	1SS133T-77	
	D 605	GJ310020020104	DIODE	1N4001	
	D 606	GJ310020020104	DIODE	1N4001	
	D 607	GJ310020020104	DIODE	1N4001	
	FB601	GJ141039721	F.BEAD INDUCTOR	1.1UH	
	IC 1	GJ313011361106	IC	LA1823 DIP	
	IC 2	GJ313070221000	IC	LC72136N	
	IC101	GJ313070541318	IC	TDA7440D	
	IC102	GJ313010023103	IC	BA15218 DIP	
	IC401	GJ875924258	IC	TA8189N	
	IC402	GJ875923475	IC	TC74HC4094AP	
	IC601	GJ313060841223	IC	MN662748RPMFA	
	IC611	GJ313020851323	IC	AN22000A	
	IC621	GJ875957980	IC	BA5936S	
	J 1	GJ342040190113	ANT TERMINAL	JACK SPK 4PIN	
	J 301	GJ342030140109	JACK	4PINS	
	L 1	GJ241112292102	INDUCTOR	2.2UH 5%	
	L 2	GJ320130010103	BLOCK COIL		
	L 3	GJ320020260109	COIL	VQC1505-002S	
	L 4	GJ320020270109	COIL		
	L 5	GJ141052131	MICRO INDUCTOR	100UH	
	L 6	GJ241112202102	INDUCTOR	22UH 10%	
	L 7	GJ141039721	F.BEAD INDUCTOR	1.1UH	
	L 50	GJ241112212102	INDUCTOR	220UH 10%	
	L 301	GJ320060040105	BIAS COIL		
	L 303	GJ141039721	F.BEAD INDUCTOR	1.1UH	
	L 304	GJ141039721	F.BEAD INDUCTOR	1.1UH	
	L 305	GJ241111002102	INDUCTOR	10UH 5%	
	L 306	GJ141039721	F.BEAD INDUCTOR	1.1UH	
	L 307	GJ141039721	F.BEAD INDUCTOR	1.1UH	
	L 601	GJ241111002102	INDUCTOR	10UH 5%	
	LC 1	GJ123671122	FILTER	GFMB3-1-T	
	M 1	GJ381000350004	MOTOR		
	M 2	GJ381020310004	MOTOR		
	PICK	GJ390070031204	SWITCH		
	Q 1	GJ312030141210	TRANSISTOR	KTC3194 (O)	
	Q 2	GJ312030152210	TRANSISTOR	KTC3195(Y)	
	Q 3	GJ312010331203	TRANSISTOR	DTC114YS	
	Q 4	GJ312010331203	TRANSISTOR	DTC114YS	
	Q 5	GJ312011191210	TRANSISTOR	KRA107M	
	Q 6	GJ312010331203	TRANSISTOR	DTC114YS	
	Q 7	GJ312030111210	TRANSISTOR	KTC3199TP-GR	
	Q 8	GJ312011231210	TRANSISTOR	KTA1267Y	
	Q 101	GJ312030111210	TRANSISTOR	KTC3199TP-GR	
	Q 201	GJ312030111210	TRANSISTOR	KTC3199TP-GR	
	Q 301	GJ312030131210	TRANSISTOR	KTC3200 (GR)	
	Q 302	GJ312011191210	TRANSISTOR	KRA107M	
	Q 303	GJ872903686	TRANSISTOR	KTC3203Y	
	Q 304	GJ312011231210	TRANSISTOR	KTA1267Y	
	Q 305	GJ872903003	TRANSISTOR	DTC144ESA	
	Q 308	GJ872903003	TRANSISTOR	DTC144ESA	
	Q 309	GJ872904076	TRANSISTOR	KTA1273(Y)	
	Q 310	GJ312030111210	TRANSISTOR	KTC3199TP-GR	
	Q 311	GJ872904076	TRANSISTOR	KTA1273(Y)	
	Q 312	GJ312030111210	TRANSISTOR	KTC3199TP-GR	
	Q 313	GJ872904076	TRANSISTOR	KTA1273(Y)	
	Q 315	GJ312030111210	TRANSISTOR	KTC3199TP-GR	
	Q 316	GJ312030111210	TRANSISTOR	KTC3199TP-GR	
	Q 317	GJ312030111210	TRANSISTOR	KTC3199TP-GR	

△	Item	Parts number	Parts name	Remarks	Area
	Q 318	GJ312030111210	TRANSISTOR	KTC3199TP-GR	
	Q 319	GJ312011921210	TRANSISTOR	KTA1270Y	
	Q 321	GJ312010331203	TRANSISTOR	DTC114YS	
	Q 322	GJ312011191210	TRANSISTOR	KRA107M	
	Q 323	GJ312011191210	TRANSISTOR	KRA107M	
	Q 324	GJ312011191210	TRANSISTOR	KRA107M	
	Q 325	GJ312010331203	TRANSISTOR	DTC114YS	
	Q 327	GJ312011231210	TRANSISTOR	KTA1267Y	
	Q 401	GJ872992241	TRANSISTOR	2SD2144S	
	Q 402	GJ872992241	TRANSISTOR	2SD2144S	
	Q 403	GJ312030111210	TRANSISTOR	KTC3199TP-GR	
	Q 404	GJ312030111210	TRANSISTOR	KTC3199TP-GR	
	Q 405	GJ312030111210	TRANSISTOR	KTC3199TP-GR	
	Q 501	GJ872992241	TRANSISTOR	2SD2144S	
	Q 502	GJ872992241	TRANSISTOR	2SD2144S	
	Q 503	GJ312030111210	TRANSISTOR	KTC3199TP-GR	
	Q 504	GJ312030111210	TRANSISTOR	KTC3199TP-GR	
	Q 601	GJ312011231210	TRANSISTOR	KTA1267Y	
	Q 602	GJ312010331203	TRANSISTOR	DTC114YS	
	R 1	GJ250031522199	CARBON RESISTOR	1/4WM J 1.5K	
	R 2	GJ250031042199	CARBON RESISTOR	1/4WM J 100K	
	R 3	GJ250031022199	CARBON RESISTOR	1/4WM J 1K	
	R 4	GJ250031042199	CARBON RESISTOR	1/4WM J 100K	
	R 5	GJ250031042199	CARBON RESISTOR	1/4WM J 100K	
	R 6	GJ250034732199	CARBON RESISTOR	1/4WM J 47K	
	R 7	GJ250034732199	CARBON RESISTOR	1/4WM J 47K	
	R 8	GJ250031002199	CARBON RESISTOR	1/4WM J 10	
	R 9	GJ250031002199	CARBON RESISTOR	1/4WM J 10	
	R 10	GJ250034712199	CARBON RESISTOR	1/4WM J 470	
	R 11	GJ250033312199	CARBON RESISTOR	1/4WM J 330	
	R 12	GJ250034742199	CARBON RESISTOR	1/4WM J 470K	
	R 13	GJ250033302199	CARBON RESISTOR	1/4WM J 33	
	R 14	GJ250033312199	CARBON RESISTOR	1/4WM J 330	
	R 15	GJ250031532199	CARBON RESISTOR	1/4WM J 15K	
	R 16	GJ250032202199	CARBON RESISTOR	1/4WM J 22	
	R 17	GJ250031012199	CARBON RESISTOR	1/4WM J 100	
	R 18	GJ250032242199	CARBON RESISTOR	1/4WM J 220K	
	R 19	GJ250031222199	CARBON RESISTOR	1/4WM J 1.2K	
	R 20	GJ250031012199	CARBON RESISTOR	1/4WM J 100	
	R 21	GJ250033322199	CARBON RESISTOR	1/4WM J 3.3K	
	R 22	GJ250031042199	CARBON RESISTOR	1/4WM J 100K	
	R 23	GJ250035622199	CARBON RESISTOR	1/4WM J 5.6K	
	R 24	GJ250035622199	CARBON RESISTOR	1/4WM J 5.6K	
	R 25	GJ250032222199	CARBON RESISTOR	1/4WM J 2.2K	
	R 26	GJ250032222199	CARBON RESISTOR	1/4WM J 2.2K	
	R 27	GJ250031012199	CARBON RESISTOR	1/4WM J 100	
	R 51	GJ250031022199	CARBON RESISTOR	1/4WM J 1K	
	R 52	GJ250034722199	CARBON RESISTOR	1/4WM J 4.7K	
	R 53	GJ250033322199	CARBON RESISTOR	1/4WM J 3.3K	
	R 54	GJ250031822199	CARBON RESISTOR	1/4WM J 1.8K	
	R 55	GJ250034722199	CARBON RESISTOR	1/4WM J 4.7K	
	R 56	GJ250034722199	CARBON RESISTOR	1/4WM J 4.7K	
	R 57	GJ250033312199	CARBON RESISTOR	1/4WM J 330	
	R 58	GJ250031012199	CARBON RESISTOR	1/4WM J 100	
	R 59	GJ250031032199	CARBON RESISTOR	1/4WM J 10K	
	R 60	GJ250031022199	CARBON RESISTOR	1/4WM J 1K	
	R 61	GJ250031022199	CARBON RESISTOR	1/4WM J 1K	
	R 62	GJ250031022199	CARBON RESISTOR	1/4WM J 1K	
	R 63	GJ250031022199	CARBON RESISTOR	1/4WM J 1K	
	R 64	GJ250031022199	CARBON RESISTOR	1/4WM J 1K	
	R 65	GJ250031022199	CARBON RESISTOR	1/4WM J 1K	
	R 66	GJ250034732199	CARBON RESISTOR	1/4WM J 47K	
	R 67	GJ250034732199	CARBON RESISTOR	1/4WM J 47K	

■ Electrical parts list (Main board)

Block No. 01

△	Item	Parts number	Parts name	Remarks	Area
	R 68	GJ250034732199	CARBON RESISTOR	1/4WM J 47K	
	R 69	GJ250034732199	CARBON RESISTOR	1/4WM J 47K	
	R 70	GJ250034732199	CARBON RESISTOR	1/4WM J 47K	
	R 71	GJ250033322199	CARBON RESISTOR	1/4WM J 3.3K	
	R 72	GJ250031042199	CARBON RESISTOR	1/4WM J 100K	
	R 73	GJ250031022199	CARBON RESISTOR	1/4WM J 1K	
	R 74	GJ255053301611	FUSIBLE RESISTOR	1/4W J 33	
	R 101	GJ250033932199	CARBON RESISTOR	1/4WM J 39K	
	R 102	GJ250036822199	CARBON RESISTOR	1/4WM J 6.8K	
	R 103	GJ250032222199	CARBON RESISTOR	1/4WM J 2.2K	
	R 104	GJ250032222199	CARBON RESISTOR	1/4WM J 2.2K	
	R 105	GJ250031542199	CARBON RESISTOR	1/4WM J 150K	
	R 106	GJ250036822199	CARBON RESISTOR	1/4WM J 6.8K	
	R 108	GJ250031032199	CARBON RESISTOR	1/4WM J 10K	
	R 109	GJ250031222199	CARBON RESISTOR	1/4WM J 1.2K	
	R 110	GJ250032222199	CARBON RESISTOR	1/4WM J 2.2K	
	R 111	GJ250031032199	CARBON RESISTOR	1/4WM J 10K	
	R 112	GJ250035622199	CARBON RESISTOR	1/4WM J 5.6K	
	R 113	GJ250031032199	CARBON RESISTOR	1/4WM J 10K	
	R 114	GJ250031022199	CARBON RESISTOR	1/4WM J 1K	
	R 115	GJ250032232199	CARBON RESISTOR	1/4WM J 22K	
	R 201	GJ250033932199	CARBON RESISTOR	1/4WM J 39K	
	R 202	GJ250036822199	CARBON RESISTOR	1/4WM J 6.8K	
	R 203	GJ250032222199	CARBON RESISTOR	1/4WM J 2.2K	
	R 204	GJ250032222199	CARBON RESISTOR	1/4WM J 2.2K	
	R 205	GJ250031542199	CARBON RESISTOR	1/4WM J 150K	
	R 206	GJ250036822199	CARBON RESISTOR	1/4WM J 6.8K	
	R 208	GJ250031032199	CARBON RESISTOR	1/4WM J 10K	
	R 209	GJ250031222199	CARBON RESISTOR	1/4WM J 1.2K	
	R 210	GJ250032222199	CARBON RESISTOR	1/4WM J 2.2K	
	R 211	GJ250031032199	CARBON RESISTOR	1/4WM J 10K	
	R 212	GJ250035622199	CARBON RESISTOR	1/4WM J 5.6K	
	R 213	GJ250031032199	CARBON RESISTOR	1/4WM J 10K	
	R 214	GJ250031022199	CARBON RESISTOR	1/4WM J 1K	
	R 215	GJ250032232199	CARBON RESISTOR	1/4WM J 22K	
	R 301	GJ250031022199	CARBON RESISTOR	1/4WM J 1K	
	R 302	GJ250032212199	CARBON RESISTOR	1/4WM J 220	
	R 303	GJ250031022199	CARBON RESISTOR	1/4WM J 1K	
	R 304	GJ250031012199	CARBON RESISTOR	1/4WM J 100	
	R 305	GJ250031032199	CARBON RESISTOR	1/4WM J 10K	
	R 306	GJ250031052199	CARBON RESISTOR	1/4WM J 1M	
	R 307	GJ250031032199	CARBON RESISTOR	1/4WM J 10K	
	R 308	GJ250031032199	CARBON RESISTOR	1/4WM J 10K	
	R 309	GJ250031002199	CARBON RESISTOR	1/4WM J 10	
	R 310	GJ250033302199	CARBON RESISTOR	1/4WM J 33	
	R 311	GJ250034792199	CARBON RESISTOR	1/4WM J 4.7	
	R 312	GJ250031022199	CARBON RESISTOR	1/4WM J 1K	
	R 316	GJ250031032199	CARBON RESISTOR	1/4WM J 10K	
	R 317	GJ250034722199	CARBON RESISTOR	1/4WM J 4.7K	
	R 319	GJ250032232199	CARBON RESISTOR	1/4WM J 22K	
	R 320	GJ250034732199	CARBON RESISTOR	1/4WM J 47K	
	R 321	GJ250032222199	CARBON RESISTOR	1/4WM J 2.2K	
	R 322	GJ250032222199	CARBON RESISTOR	1/4WM J 2.2K	
	R 323	GJ250032222199	CARBON RESISTOR	1/4WM J 2.2K	
	R 324	GJ250032222199	CARBON RESISTOR	1/4WM J 2.2K	
	R 325	GJ250032222199	CARBON RESISTOR	1/4WM J 2.2K	
	R 328	GJ250031032199	CARBON RESISTOR	1/4WM J 10K	
	R 329	GJ250032232199	CARBON RESISTOR	1/4WM J 22K	
	R 330	GJ250034732199	CARBON RESISTOR	1/4WM J 47K	
	R 331	GJ250033322199	CARBON RESISTOR	1/4WM J 3.3K	
	R 332	GJ250034722199	CARBON RESISTOR	1/4WM J 4.7K	
	R 333	GJ250031512199	CARBON RESISTOR	1/4WM J 150	
	R 334	GJ250033322199	CARBON RESISTOR	1/4WM J 3.3K	

△	Item	Parts number	Parts name	Remarks	Area
	R 335	GJ250034722199	CARBON RESISTOR	1/4WM J 4.7K	
	R 336	GJ250031512199	CARBON RESISTOR	1/4WM J 150	
	R 337	GJ250033322199	CARBON RESISTOR	1/4WM J 3.3K	
	R 338	GJ250031022199	CARBON RESISTOR	1/4WM J 1K	
	R 339	GJ250032222199	CARBON RESISTOR	1/4WM J 2.2K	
	R 340	GJ250032222199	CARBON RESISTOR	1/4WM J 2.2K	
	R 341	GJ250032222199	CARBON RESISTOR	1/4WM J 2.2K	
	R 344	GJ250031022199	CARBON RESISTOR	1/4WM J 1K	
	R 345	GJ250031022199	CARBON RESISTOR	1/4WM J 1K	
	R 346	GJ250034702199	CARBON RESISTOR	1/4WM J 47	
	R 347	GJ250031022199	CARBON RESISTOR	1/4WM J 1K	
	R 348	GJ250032222199	CARBON RESISTOR	1/4WM J 2.2K	
	R 349	GJ250032212199	CARBON RESISTOR	1/4WM J 220	
	R 350	GJ250031022199	CARBON RESISTOR	1/4WM J 1K	
	R 351	GJ250031042199	CARBON RESISTOR	1/4WM J 100K	
	R 352	GJ250031532199	CARBON RESISTOR	1/4WM J 15K	
	R 353	GJ250031812199	CARBON RESISTOR	1/4WM J 180	
	R 354	GJ250038212199	CARBON RESISTOR	1/4WM J 820	
	R 355	GJ250033302199	CARBON RESISTOR	1/4WM J 33	
	R 356	GJ250032212199	CARBON RESISTOR	1/4WM J 220	
	R 357	GJ250031032199	CARBON RESISTOR	1/4WM J 10K	
	R 358	GJ250031042199	CARBON RESISTOR	1/4WM J 100K	
	R 359	GJ250034712199	CARBON RESISTOR	1/4WM J 470	
	R 361	GJ250033322199	CARBON RESISTOR	1/4WM J 3.3K	
	R 362	GJ255052291611	FUSIBLE RESISTOR	1/4W J 2.2	
	R 363	GJ250034712199	CARBON RESISTOR	1/4WM J 470	
	R 364	GJ250034732199	CARBON RESISTOR	1/4WM J 47K	
	R 365	GJ250033322199	CARBON RESISTOR	1/4WM J 3.3K	
	R 366	GJ250036822199	CARBON RESISTOR	1/4WM J 6.8K	
	R 367	GJ250031032199	CARBON RESISTOR	1/4WM J 10K	
	R 368	GJ250034732199	CARBON RESISTOR	1/4WM J 47K	
	R 369	GJ250034732199	CARBON RESISTOR	1/4WM J 47K	
	R 371	GJ250032232199	CARBON RESISTOR	1/4WM J 22K	
	R 372	GJ250032232199	CARBON RESISTOR	1/4WM J 22K	
	R 373	GJ250032222199	CARBON RESISTOR	1/4WM J 2.2K	
	R 401	GJ250031042199	CARBON RESISTOR	1/4WM J 100K	
	R 402	GJ250036822199	CARBON RESISTOR	1/4WM J 6.8K	
	R 404	GJ250031012199	CARBON RESISTOR	1/4WM J 100	
	R 405	GJ250038222199	CARBON RESISTOR	1/4WM J 8.2K	
	R 406	GJ250038222199	CARBON RESISTOR	1/4WM J 8.2K	
	R 407	GJ250036832199	CARBON RESISTOR	1/4WM J 68K	
	R 408	GJ250033322199	CARBON RESISTOR	1/4WM J 3.3K	
	R 409	GJ250031542199	CARBON RESISTOR	1/4WM J 150K	
	R 410	GJ250031222199	CARBON RESISTOR	1/4WM J 1.2K	
	R 412	GJ250031822199	CARBON RESISTOR	1/4WM J 1.8K	
	R 413	GJ250032232199	CARBON RESISTOR	1/4WM J 22K	
	R 414	GJ250034722199	CARBON RESISTOR	1/4WM J 4.7K	
	R 415	GJ250031032199	CARBON RESISTOR	1/4WM J 10K	
	R 416	GJ250036822199	CARBON RESISTOR	1/4WM J 6.8K	
	R 417	GJ250032232199	CARBON RESISTOR	1/4WM J 22K	
	R 418	GJ250032222199	CARBON RESISTOR	1/4WM J 2.2K	
	R 421	GJ250031022199	CARBON RESISTOR	1/4WM J 1K	
	R 422	GJ250031022199	CARBON RESISTOR	1/4WM J 1K	
	R 501	GJ250031042199	CARBON RESISTOR	1/4WM J 100K	
	R 502	GJ250036822199	CARBON RESISTOR	1/4WM J 6.8K	
	R 504	GJ250031012199	CARBON RESISTOR	1/4WM J 100	
	R 505	GJ250038222199	CARBON RESISTOR	1/4WM J 8.2K	
	R 506	GJ250038222199	CARBON RESISTOR	1/4WM J 8.2K	
	R 507	GJ250036832199	CARBON RESISTOR	1/4WM J 68K	
	R 508	GJ250033322199	CARBON RESISTOR	1/4WM J 3.3K	
	R 509	GJ250031542199	CARBON RESISTOR	1/4WM J 150K	
	R 510	GJ250031222199	CARBON RESISTOR	1/4WM J 1.2K	
	R 512	GJ250031822199	CARBON RESISTOR	1/4WM J 1.8K	

■ Electrical parts list (Main board)

Block No. 01

△	Item	Parts number	Parts name	Remarks	Area
	R 513	GJ250032232199	CARBON RESISTOR	1/4WM J 22K	
	R 514	GJ250034722199	CARBON RESISTOR	1/4WM J 4.7K	
	R 515	GJ250031032199	CARBON RESISTOR	1/4WM J 10K	
	R 516	GJ250036822199	CARBON RESISTOR	1/4WM J 6.8K	
	R 517	GJ250032232199	CARBON RESISTOR	1/4WM J 22K	
	R 518	GJ250032222199	CARBON RESISTOR	1/4WM J 2.2K	
	R 521	GJ250031022199	CARBON RESISTOR	1/4WM J 1K	
	R 522	GJ250031022199	CARBON RESISTOR	1/4WM J 1K	
	R 523	GJ250032222199	CARBON RESISTOR	1/4WM J 2.2K	
	R 601	GJ250032722199	CARBON RESISTOR	1/4WM J 2.7K	
	R 602	GJ250031212199	CARBON RESISTOR	1/4WM J 120	
	R 603	GJ250031022199	CARBON RESISTOR	1/4WM J 1K	
	R 604	GJ250031022199	CARBON RESISTOR	1/4WM J 1K	
	R 605	GJ250032212199	CARBON RESISTOR	1/4WM J 220	
	R 611	GJ250031032199	CARBON RESISTOR	1/4WM J 10K	
	R 615	GJ250031022199	CARBON RESISTOR	1/4WM J 1K	
	R 616	GJ250033932199	CARBON RESISTOR	1/4WM J 39K	
	R 617	GJ250031052199	CARBON RESISTOR	1/4WM J 1M	
	R 618	GJ250036832199	CARBON RESISTOR	1/4WM J 68K	
	R 619	GJ250031012199	CARBON RESISTOR	1/4WM J 100	
	R 621	GJ250036832199	CARBON RESISTOR	1/4WM J 68K	
	R 622	GJ250036832199	CARBON RESISTOR	1/4WM J 68K	
	R 623	GJ250031242199	CARBON RESISTOR	1/4WM J 120K	
	R 624	GJ250031552199	CARBON RESISTOR	1/4WM J 1.5M	
	R 625	GJ250033312199	CARBON RESISTOR	1/4WM J 330	
	R 626	GJ250032242199	CARBON RESISTOR	1/4WM J 220K	
	R 628	GJ250035622199	CARBON RESISTOR	1/4WM J 5.6K	
	R 629	GJ250031032199	CARBON RESISTOR	1/4WM J 10K	
	R 630	GJ250031032199	CARBON RESISTOR	1/4WM J 10K	
	R 631	GJ250031032199	CARBON RESISTOR	1/4WM J 10K	
	R 632	GJ250031002199	CARBON RESISTOR	1/4WM J 10	
	R 633	GJ250031002199	CARBON RESISTOR	1/4WM J 10	
	R 634	GJ250031202199	CARBON RESISTOR	1/4WM J 12	
	R 635	GJ250033932199	CARBON RESISTOR	1/4WM J 39K	
	R 636	GJ250032232199	CARBON RESISTOR	1/4WM J 22K	
	R 637	GJ250032222199	CARBON RESISTOR	1/4WM J 2.2K	
	R 638	GJ250033322199	CARBON RESISTOR	1/4WM J 3.3K	
	R 639	GJ250036822199	CARBON RESISTOR	1/4WM J 6.8K	
	R 640	GJ250036822199	CARBON RESISTOR	1/4WM J 6.8K	
	R 642	GJ250031542199	CARBON RESISTOR	1/4WM J 150K	
	R 643	GJ250034742199	CARBON RESISTOR	1/4WM J 470K	
	R 644	GJ250031042199	CARBON RESISTOR	1/4WM J 100K	
	R 645	GJ250032742199	CARBON RESISTOR	1/4WM J 270K	
	R 646	GJ250032242199	CARBON RESISTOR	1/4WM J 220K	
	R 647	GJ250031032199	CARBON RESISTOR	1/4WM J 10K	
	R 648	GJ250031032199	CARBON RESISTOR	1/4WM J 10K	
	R 649	GJ250032292199	CARBON RESISTOR	1/4WM J 2.2	
	R 650	GJ250034722199	CARBON RESISTOR	1/4WM J 4.7K	
	R 651	GJ250032732199	CARBON RESISTOR	1/4WM J 27K	
	R 652	GJ250031222199	CARBON RESISTOR	1/4WM J 1.2K	
	R 653	GJ250031222199	CARBON RESISTOR	1/4WM J 1.2K	
	R 654	GJ250031232199	CARBON RESISTOR	1/4WM J 12K	
	R 655	GJ250032432199	CARBON RESISTOR	1/4WM J 24K	
	R 656	GJ250032722199	CARBON RESISTOR	1/4WM J 2.7K	
	R 657	GJ250033922199	CARBON RESISTOR	1/4WM J 3.9K	
	R 659	GJ250031042199	CARBON RESISTOR	1/4WM J 100K	
	R 660	GJ250031032199	CARBON RESISTOR	1/4WM J 10K	
	R 662	GJ250035622199	CARBON RESISTOR	1/4WM J 5.6K	
	R 663	GJ250035622199	CARBON RESISTOR	1/4WM J 5.6K	
	R 664	GJ250032232199	CARBON RESISTOR	1/4WM J 22K	
	R 665	GJ250032232199	CARBON RESISTOR	1/4WM J 22K	
	R 666	GJ250031022199	CARBON RESISTOR	1/4WM J 1K	
	R 667	GJ250033332199	CARBON RESISTOR	1/4WM J 33K	

△	Item	Parts number	Parts name	Remarks	Area
	R 668	GJ250032722199	CARBON RESISTOR	1/4WM J 2.7K	
	R 669	GJ250032712199	CARBON RESISTOR	1/4WM J 270	
	R 670	GJ250033942199	CARBON RESISTOR	1/4WM J 390K	
	R 671	GJ250038222199	CARBON RESISTOR	1/4WM J 8.2K	
	R 672	GJ250033332199	CARBON RESISTOR	1/4WM J 33K	
	R 673	GJ250033332199	CARBON RESISTOR	1/4WM J 33K	
	R 675	GJ250038222199	CARBON RESISTOR	1/4WM J 8.2K	
	R423R	GJ250032222199	CARBON RESISTOR	1/4WM J 2.2K	
	SW703	GJ390170021204	SWITCH		
	SW704	GJ390170021204	SWITCH		
	T 1	GJ321000720109	IFT	PCFAZ-HY-AC009	
	TRAY	GJ390070031204	SWITCH		
	W603A	GJ156538621	HOLDER	CABLE 5P	
	W606A	GJ156538421	HOLDER		
	W606B	GJ353030180107	CABLE FLAT	3PIN	
	W606C	GJ156538421	HOLDER	CABLE 3P	
	W607A	GJ157328721	HOLDER	CABLE 2P	
	W607C	GJ157328721	HOLDER	CABLE 2P	
	X 1	GJ361000130003	X'TAL	VCX5044-001	
	X 601	GJ361000400009	CRYSTAL	16.9344MHZ	

■ Electrical parts list (Control board)

Block No. 02

△	Item	Parts number	Parts name	Remarks	Area
	C 701	GJ264291042101	A.CAPACITOR	0.1MF F-F 50V	
	C 702	GJ270112270310	E.CAPACITOR	10V VX M 220UF	
	C 703	GJ270112270310	E.CAPACITOR	10V VX M 220UF	
	C 704	GJ270112270310	E.CAPACITOR	10V VX M 220UF	
	C 705	GJ116229421	A.CAPACITOR	50V B K 1000PF	
	C 706	GJ116229421	A.CAPACITOR	50V B K 1000PF	
	C 707	GJ116221321	A.CAPACITOR	50V SL J 39PF	
	C 708	GJ116221121	A.CAPACITOR	50V SL J 33PF	
	C 709	GJ116220721	A.CAPACITOR	50V SL J 22PF	
	C 710	GJ116220721	A.CAPACITOR	50V SL J 22PF	
	C 711	GJ116220721	A.CAPACITOR	50V SL J 22PF	
	C 712	GJ116220721	A.CAPACITOR	50V SL J 22PF	
	C 713	GJ264291042101	A.CAPACITOR	0.1MF F-F 50V	
	C 714	GJ116230621	A.CAPACITOR	16V Y M 0.01UF	
	C 715	GJ116229421	A.CAPACITOR	50V B K 1000PF	
	C 716	GJ270114760310	E.CAPACITOR	10V M 47UF	
	C 717	GJ264291042101	A.CAPACITOR	0.1MF F-F 50V	
	C 718	GJ270192260310	E.CAPACITOR	50V M 22UF	
	C 719	GJ270192260310	E.CAPACITOR	50V M 22UF	
	C 720	GJ116228421	A.CAPACITOR	50V B K 150PF	
	C 721	GJ116228421	A.CAPACITOR	50V B K 150PF	
	C 723	GJ270191050310	E.CAPACITOR	50V VX M 1UF	
	C 740	GJ116228221	A.CAPACITOR	50V B K 100PF	
	CN701	GJ340021110109	CONNECTOR	FFC/FPC RA11PIN	
	CN702	GJ340021200109	CONNECTOR	FFC/FPC RA20PIN	
	CN703	GJ340021210109	CONNECTOR	FFC/FPC RA21PIN	
	C1001	GJ116230621	A.CAPACITOR	16V Y M 0.01UF	
	C1002	GJ116230621	A.CAPACITOR	16V Y M 0.01UF	
	C1051	GJ116229421	A.CAPACITOR	50V B K 1000PF	
	C1052	GJ116229421	A.CAPACITOR	50V B K 1000PF	
	D 701	GJ871999133	DIODE	1SS133T-77	
	D 702	GJ871999133	DIODE	1SS133T-77	
	D 703	GJ871999133	DIODE	1SS133T-77	
	D 705	GJ871999133	DIODE	1SS133T-77	
	ED101	GJ374301012101	LED	RED L-934HD	
	FL701	GJ373020041000	DISPLAY FL	BJ828GNK	
	IC701	GJ313010662223	IC	MN101C35DYC 2	
	IC702	GJ313040901006	IC	SPS-440-1-E	
	J1053	GJ342010240113	HEAD PHON JACK	MSJ-035-10A BAG	
	L 701	GJ241112202102	INDUCTOR	22UH 10%	
	L 702	GJ241111002102	INDUCTOR	10UH 5%	
	L 703	GJ141039721	F.BEAD INDUCTOR	1.1UH	
	L 707	GJ241111002102	INDUCTOR	10UH 5%	
	L1051	GJ241114702102	INDUCTOR	47UH 10%	
	L1052	GJ241114702102	INDUCTOR	47UH 10%	
	L1053	GJ141039721	F.BEAD INDUCTOR	1.1UH	
	Q 701	GJ312030111210	TRANSISTOR	KTC3199TP-GR	
	Q 702	GJ312030111210	TRANSISTOR	KTC3199TP-GR	
	Q 703	GJ312030111210	TRANSISTOR	KTC3199TP-GR	
	Q 704	GJ312030152210	TRANSISTOR	KTC3195(Y)	
	Q 705	GJ312030152210	TRANSISTOR	KTC3195(Y)	
	Q 707	GJ872990437	TRANSISTOR	DTC114YS	
	Q 711	GJ312011171210	TRANSISTOR	KRA102M	
	Q 713	GJ872990437	TRANSISTOR	DTC114YS	
	Q 714	GJ312030111210	TRANSISTOR	KTC3199TP-GR	
	Q 715	GJ312030111210	TRANSISTOR	KTC3199TP-GR	
	R 701	GJ250034732199	CARBON RESISTOR	1/4WM J 47K	
	R 702	GJ250034732199	CARBON RESISTOR	1/4WM J 47K	
	R 703	GJ250034732199	CARBON RESISTOR	1/4WM J 47K	
	R 705	GJ250031032199	CARBON RESISTOR	1/4WM J 10K	
	R 706	GJ250031032199	CARBON RESISTOR	1/4WM J 10K	
	R 707	GJ250031022199	CARBON RESISTOR	1/4WM J 1K	
	R 709	GJ250031022199	CARBON RESISTOR	1/4WM J 1K	

△	Item	Parts number	Parts name	Remarks	Area
	R 710	GJ250031022199	CARBON RESISTOR	1/4WM J 1K	
	R 711	GJ250031022199	CARBON RESISTOR	1/4WM J 1K	
	R 712	GJ250031022199	CARBON RESISTOR	1/4WM J 1K	
	R 713	GJ250034732199	CARBON RESISTOR	1/4WM J 47K	
	R 714	GJ250032222199	CARBON RESISTOR	1/4WM J 2.2K	
	R 715	GJ250034732199	CARBON RESISTOR	1/4WM J 47K	
	R 716	GJ250032222199	CARBON RESISTOR	1/4WM J 2.2K	
	R 717	GJ250031022199	CARBON RESISTOR	1/4WM J 1K	
	R 718	GJ250031032199	CARBON RESISTOR	1/4WM J 10K	
	R 719	GJ250032222199	CARBON RESISTOR	1/4WM J 2.2K	
	R 720	GJ250031022199	CARBON RESISTOR	1/4WM J 1K	
	R 721	GJ250031022199	CARBON RESISTOR	1/4WM J 1K	
	R 722	GJ250031022199	CARBON RESISTOR	1/4WM J 1K	
	R 723	GJ250032212199	CARBON RESISTOR	1/4WM J 220	
	R 724	GJ250031022199	CARBON RESISTOR	1/4WM J 1K	
	R 725	GJ250033312199	CARBON RESISTOR	1/4WM J 330	
	R 727	GJ250031022199	CARBON RESISTOR	1/4WM J 1K	
	R 728	GJ250031022199	CARBON RESISTOR	1/4WM J 1K	
	R 729	GJ250031022199	CARBON RESISTOR	1/4WM J 1K	
	R 730	GJ250031022199	CARBON RESISTOR	1/4WM J 1K	
	R 731	GJ250031022199	CARBON RESISTOR	1/4WM J 1K	
	R 732	GJ250031022199	CARBON RESISTOR	1/4WM J 1K	
	R 733	GJ250034722199	CARBON RESISTOR	1/4WM J 4.7K	
	R 734	GJ250034722199	CARBON RESISTOR	1/4WM J 4.7K	
	R 736	GJ250031012199	CARBON RESISTOR	1/4WM J 100	
	R 737	GJ250031012199	CARBON RESISTOR	1/4WM J 100	
	R 738	GJ250032212199	CARBON RESISTOR	1/4WM J 220	
	R 739	GJ250032212199	CARBON RESISTOR	1/4WM J 220	
	R 740	GJ250032212199	CARBON RESISTOR	1/4WM J 220	
	R 741	GJ250033312199	CARBON RESISTOR	1/4WM J 330	
	R 742	GJ250032222199	CARBON RESISTOR	1/4WM J 2.2K	
	R 743	GJ250032222199	CARBON RESISTOR	1/4WM J 2.2K	
	R 744	GJ250032212199	CARBON RESISTOR	1/4WM J 220	
	R 745	GJ250032222199	CARBON RESISTOR	1/4WM J 2.2K	
	R 746	GJ250032222199	CARBON RESISTOR	1/4WM J 2.2K	
	R 747	GJ250032222199	CARBON RESISTOR	1/4WM J 2.2K	
	R 748	GJ250032222199	CARBON RESISTOR	1/4WM J 2.2K	
	R 749	GJ250034722199	CARBON RESISTOR	1/4WM J 4.7K	
	R 750	GJ250034722199	CARBON RESISTOR	1/4WM J 4.7K	
	R 751	GJ250034722199	CARBON RESISTOR	1/4WM J 4.7K	
	R 752	GJ250034722199	CARBON RESISTOR	1/4WM J 4.7K	
	R 753	GJ250032222199	CARBON RESISTOR	1/4WM J 2.2K	
	R 754	GJ250032222199	CARBON RESISTOR	1/4WM J 2.2K	
	R 755	GJ250032222199	CARBON RESISTOR	1/4WM J 2.2K	
	R 756	GJ250032222199	CARBON RESISTOR	1/4WM J 2.2K	
	R 757	GJ250031022199	CARBON RESISTOR	1/4WM J 1K	
	R 758	GJ250032222199	CARBON RESISTOR	1/4WM J 2.2K	
	R 759	GJ250032292199	CARBON RESISTOR	1/4WM J 2.2	
	R 760	GJ250032292199	CARBON RESISTOR	1/4WM J 2.2	
	R 761	GJ250034732199	CARBON RESISTOR	1/4WM J 47K	
	R 762	GJ250031032199	CARBON RESISTOR	1/4WM J 10K	
	R 768	GJ250031042199	CARBON RESISTOR	1/4WM J 100K	
	R 769	GJ250031022199	CARBON RESISTOR	1/4WM J 1K	
	R 770	GJ250032222199	CARBON RESISTOR	1/4WM J 2.2K	
	R 772	GJ250032222199	CARBON RESISTOR	1/4WM J 2.2K	
	R 773	GJ250032222199	CARBON RESISTOR	1/4WM J 2.2K	
	R 774	GJ250031822199	CARBON RESISTOR	1/4WM J 1.8K	
	R 775	GJ250031022199	CARBON RESISTOR	1/4WM J 1K	
	R 776	GJ250031032199	CARBON RESISTOR	1/4WM J 10K	
	R 777	GJ250034732199	CARBON RESISTOR	1/4WM J 47K	
	R 778	GJ250031022199	CARBON RESISTOR	1/4WM J 1K	
	R 779	GJ250031032199	CARBON RESISTOR	1/4WM J 10K	
	R 780	GJ250032222199	CARBON RESISTOR	1/4WM J 2.2K	

■ Electrical parts list (Control board)

Block No. 02

△	Item	Parts number	Parts name	Remarks	Area	△	Item	Parts number	Parts name	Remarks	Area
	R 781	GJ250031022199	CARBON RESISTOR	1/4WM J 1K			R1025	GJ250031232199	CARBON RESISTOR	1/4WM J 12K	
	R 782	GJ250032222199	CARBON RESISTOR	1/4WM J 2.2K			R1026	GJ250036812199	CARBON RESISTOR	1/4WM J 680	
	R 783	GJ250034732199	CARBON RESISTOR	1/4WM J 47K			R1027	GJ250036812199	CARBON RESISTOR	1/4WM J 680	
	R 784	GJ250032222199	CARBON RESISTOR	1/4WM J 2.2K			R1028	GJ250038212199	CARBON RESISTOR	1/4WM J 820	
	R 785	GJ250032222199	CARBON RESISTOR	1/4WM J 2.2K			R1029	GJ250031022199	CARBON RESISTOR	1/4WM J 1K	
	R 786	GJ250031032199	CARBON RESISTOR	1/4WM J 10K			R1030	GJ250031522199	CARBON RESISTOR	1/4WM J 1.5K	
	R 787	GJ250031032199	CARBON RESISTOR	1/4WM J 10K			R1031	GJ250032222199	CARBON RESISTOR	1/4WM J 2.2K	
	R 788	GJ250031022199	CARBON RESISTOR	1/4WM J 1K			R1032	GJ250032722199	CARBON RESISTOR	1/4WM J 2.7K	
	R 789	GJ250032222199	CARBON RESISTOR	1/4WM J 2.2K			R1033	GJ250035622199	CARBON RESISTOR	1/4WM J 5.6K	
	R 790	GJ250031022199	CARBON RESISTOR	1/4WM J 1K			R1034	GJ250031232199	CARBON RESISTOR	1/4WM J 12K	
	R 791	GJ250031012199	CARBON RESISTOR	1/4WM J 100			R1037	GJ250032232199	CARBON RESISTOR	1/4WM J 22K	
	R 792	GJ250033312199	CARBON RESISTOR	1/4WM J 330			R1038	GJ250032232199	CARBON RESISTOR	1/4WM J 22K	
	RA701	GJ250034732199	CARBON RESISTOR	1/4WM J 47K			R1039	GJ250031242199	CARBON RESISTOR	1/4WM J 120K	
	RA702	GJ250034732199	CARBON RESISTOR	1/4WM J 47K			R1040	GJ250031242199	CARBON RESISTOR	1/4WM J 120K	
	RA703	GJ250034732199	CARBON RESISTOR	1/4WM J 47K			R1041	GJ250035632199	CARBON RESISTOR	1/4WM J 56K	
	RA704	GJ250034732199	CARBON RESISTOR	1/4WM J 47K			R1042	GJ250035632199	CARBON RESISTOR	1/4WM J 56K	
	RA705	GJ250034732199	CARBON RESISTOR	1/4WM J 47K			R1043	GJ250034732199	CARBON RESISTOR	1/4WM J 47K	
	RA706	GJ250034732199	CARBON RESISTOR	1/4WM J 47K			R1047	GJ250034732199	CARBON RESISTOR	1/4WM J 47K	
	RA707	GJ250034732199	CARBON RESISTOR	1/4WM J 47K			R1048	GJ250031032199	CARBON RESISTOR	1/4WM J 10K	
	RA708	GJ250034732199	CARBON RESISTOR	1/4WM J 47K			R1060	GJ250034732199	CARBON RESISTOR	1/4WM J 47K	
	RA709	GJ250034732199	CARBON RESISTOR	1/4WM J 47K			R1061	GJ250031022199	CARBON RESISTOR	1/4WM J 1K	
	RA710	GJ250034732199	CARBON RESISTOR	1/4WM J 47K			R1062	GJ250032212199	CARBON RESISTOR	1/4WM J 220	
	RA711	GJ250034732199	CARBON RESISTOR	1/4WM J 47K			R1063	GJ250032212199	CARBON RESISTOR	1/4WM J 220	
	RA712	GJ250034732199	CARBON RESISTOR	1/4WM J 47K			R1064	GJ250031232199	CARBON RESISTOR	1/4WM J 12K	
	RA713	GJ250034732199	CARBON RESISTOR	1/4WM J 47K			R1065	GJ250031022199	CARBON RESISTOR	1/4WM J 1K	
	RA714	GJ250034732199	CARBON RESISTOR	1/4WM J 47K			R1066	GJ250031032199	CARBON RESISTOR	1/4WM J 10K	
	RA715	GJ250034732199	CARBON RESISTOR	1/4WM J 47K			R1067	GJ250031022199	CARBON RESISTOR	1/4WM J 1K	
	RA716	GJ250034732199	CARBON RESISTOR	1/4WM J 47K			R1068	GJ250031032199	CARBON RESISTOR	1/4WM J 10K	
	RA717	GJ250034732199	CARBON RESISTOR	1/4WM J 47K			R1069	GJ250034732199	CARBON RESISTOR	1/4WM J 47K	
	RA718	GJ250034732199	CARBON RESISTOR	1/4WM J 47K			R1070	GJ250034732199	CARBON RESISTOR	1/4WM J 47K	
	RA719	GJ250034732199	CARBON RESISTOR	1/4WM J 47K			R1071	GJ250034732199	CARBON RESISTOR	1/4WM J 47K	
	RA720	GJ250034732199	CARBON RESISTOR	1/4WM J 47K			R1072	GJ250034732199	CARBON RESISTOR	1/4WM J 47K	
	RA721	GJ250034732199	CARBON RESISTOR	1/4WM J 47K			R1073	GJ250034732199	CARBON RESISTOR	1/4WM J 47K	
	RA722	GJ250034732199	CARBON RESISTOR	1/4WM J 47K			R1074	GJ250034732199	CARBON RESISTOR	1/4WM J 47K	
	RA723	GJ250034732199	CARBON RESISTOR	1/4WM J 47K			R1075	GJ250034732199	CARBON RESISTOR	1/4WM J 47K	
	RA724	GJ250034732199	CARBON RESISTOR	1/4WM J 47K			SW101	GJ299000570003	VR ENCODER	EVEKD2F3024B	
	RA725	GJ250034732199	CARBON RESISTOR	1/4WM J 47K			S1001	GJ390110181120	TACT SWITCH	(POWER)	
	RA726	GJ250034732199	CARBON RESISTOR	1/4WM J 47K			S1002	GJ390110181120	TACT SWITCH	(TAPE)	
	RA727	GJ250034732199	CARBON RESISTOR	1/4WM J 47K			S1003	GJ390110181120	TACT SWITCH	(AUX)	
	RA728	GJ250034732199	CARBON RESISTOR	1/4WM J 47K			S1004	GJ390110181120	TACT SWITCH	(BAND)	
	RA729	GJ250034732199	CARBON RESISTOR	1/4WM J 47K			S1005	GJ390110181120	TACT SWITCH	(CANCEL)	
	RR704	GJ250031032199	CARBON RESISTOR	1/4WM J 10K			S1006	GJ390110181120	TACT SWITCH	(SET)	
	R1001	GJ250036812199	CARBON RESISTOR	1/4WM J 680			S1007	GJ390110181120	TACT SWITCH	(CD)	
	R1002	GJ250036812199	CARBON RESISTOR	1/4WM J 680			S1008	GJ390110181120	TACT SWITCH	(CD1)	
	R1003	GJ250038212199	CARBON RESISTOR	1/4WM J 820			S1009	GJ390110181120	TACT SWITCH	(CD2)	
	R1004	GJ250031022199	CARBON RESISTOR	1/4WM J 1K			S1010	GJ390110181120	TACT SWITCH	(CD3)	
	R1005	GJ250031522199	CARBON RESISTOR	1/4WM J 1.5K			S1011	GJ390110181120	TACT SWITCH	(EJECT)	
	R1008	GJ250036812199	CARBON RESISTOR	1/4WM J 680			S1012	GJ390110181120	TACT SWITCH	(DISC)	
	R1009	GJ250036812199	CARBON RESISTOR	1/4WM J 680			S1013	GJ390110181120	TACT SWITCH	(DECK A/B)	
	R1010	GJ250036812199	CARBON RESISTOR	1/4WM J 680			S1014	GJ390110181120	TACT SWITCH	(TIM/CLK)	
	R1011	GJ250038212199	CARBON RESISTOR	1/4WM J 820			S1015	GJ390110181120	TACT SWITCH	(STOP)	
	R1012	GJ250031022199	CARBON RESISTOR	1/4WM J 1K			S1016	GJ390110181120	TACT SWITCH	(TUN+)	
	R1013	GJ250031522199	CARBON RESISTOR	1/4WM J 1.5K			S1017	GJ390110181120	TACT SWITCH	(TUN-)	
	R1014	GJ250032222199	CARBON RESISTOR	1/4WM J 2.2K			S1018	GJ390110181120	TACT SWITCH	(PRESET-)	
	R1015	GJ250032722199	CARBON RESISTOR	1/4WM J 2.7K			S1019	GJ390110181120	TACT SWITCH	(PRESET+)	
	R1017	GJ250036812199	CARBON RESISTOR	1/4WM J 680			S1020	GJ390110181120	TACT SWITCH	(ROCK)	
	R1018	GJ250036812199	CARBON RESISTOR	1/4WM J 680			S1021	GJ390110181120	TACT SWITCH	(CLASSIC)	
	R1019	GJ250038212199	CARBON RESISTOR	1/4WM J 820			S1022	GJ390110181120	TACT SWITCH	(POP)	
	R1020	GJ250031022199	CARBON RESISTOR	1/4WM J 1K			S1023	GJ390110181120	TACT SWITCH	(A.BASS)	
	R1021	GJ250031522199	CARBON RESISTOR	1/4WM J 1.5K			S1025	GJ390110181120	TACT SWITCH	(REC)	
	R1022	GJ250032222199	CARBON RESISTOR	1/4WM J 2.2K			S1026	GJ390110181120	TACT SWITCH	(DUBBING)	
	R1023	GJ250032722199	CARBON RESISTOR	1/4WM J 2.7K			S1027	GJ390110181120	TACT SWITCH	(CD REC)	
	R1024	GJ250035622199	CARBON RESISTOR	1/4WM J 5.6K			S1028	GJ390110181120	TACT SWITCH	(REPEAT)	

■ Electrical parts list (Control board)

Block No. 02

△	Item	Parts number	Parts name	Remarks	Area
	S1029	GJ390110181120	TACT SWITCH	(PROGRAM)	
	S1030	GJ390110181120	TACT SWITCH	(RANDOM)	
	S1031	GJ390110181120	TACT SWITCH	(DISPLAY)	
	S1032	GJ390110181120	TACT SWITCH	(PTY/EON)	
	S1033	GJ390110181120	TACT SWITCH	(SELECT+)	
	S1034	GJ390110181120	TACT SWITCH	(SELECT-)	
	X 701	GJ362000370001	X'TAL	CSA8.00MTZ 200	
	X 702	GJ361000230009	CRYSTAL	32.768KHZ DT-38	

■ Electrical parts list (Amp lifier board)

Block No. 03

△	Item	Parts number	Parts name	Remarks	Area	△	Item	Parts number	Parts name	Remarks	Area
	C 118	GJ270144750310	E.CAPACITOR	25V VX M 4.7UF			D 906	GJ310020020104	DIODE	1N4001	
	C 119	GJ116229021	A.CAPACITOR	50V B K 470PF			D 907	GJ871998334	ZENER DIODE	MTZJ-T-77-33C	
	C 120	GJ116228621	A.CAPACITOR	50V B K 220PF			D 908	GJ871992341	ZENER DIODE	MTZJ-T-77-6.2A	
	C 121	GJ270194760310	E.CAPACITOR	50V VX M 47UF			D 909	GJ871999133	DIODE	1SS133T-77	
	C 123	GJ116219921	A.CAPACITOR	50V SL J 10PF			D 910	GJ871992341	ZENER DIODE	MTZJ-T-77-6.2A	
	C 124	GJ270191070310	E.CAPACITOR	50V M 100UF			D 911	GJ871992337	ZENER DIODE	MTZJ-T-77-5.6A	
	C 125	GJ283101042415	POL FILM CAPACITOR	50V K 0.1UF			D 912	GJ871992381	ZENER DIODE	MTZJ-T-77-12C	
	C 126	GJ283101042415	POL FILM CAPACITOR	50V K 0.1UF			D 913	GJ871992375	ZENER DIODE	MTZJ-T-77-11B	
	C 218	GJ270144750310	E.CAPACITOR	25V VX M 4.7UF			D 915	GJ871992346	ZENER DIODE	MTZJ-T-77-6.8B	
	C 219	GJ116229021	A.CAPACITOR	50V B K 470PF			D 916	GJ871999133	DIODE	1SS133T-77	
	C 220	GJ116228621	A.CAPACITOR	50V B K 220PF		△	IC304	GJ313040571406	IC	STK402-070	
	C 221	GJ270194760310	E.CAPACITOR	50V VX M 47UF			J 303	GJ342020150913	JACK	4PINS	
	C 223	GJ116219921	A.CAPACITOR	50V SL J 10PF			Q 103	GJ312030111210	TRANSISTOR	KTC3199TP-GR	
	C 224	GJ270191070310	E.CAPACITOR	50V M 100UF			Q 104	GJ312011231210	TRANSISTOR	KTA1267Y	
	C 225	GJ283101042415	POL FILM CAPACITOR	50V K 0.1UF			Q 105	GJ312030111210	TRANSISTOR	KTC3199TP-GR	
	C 226	GJ283101042415	POL FILM CAPACITOR	50V K 0.1UF			Q 203	GJ312030111210	TRANSISTOR	KTC3199TP-GR	
	C 351	GJ270141060310	E.CAPACITOR	25V VX M 10UF			Q 204	GJ312011231210	TRANSISTOR	KTA1267Y	
	C 352	GJ270191050310	E.CAPACITOR	50V VX M 1UF			Q 205	GJ312030111210	TRANSISTOR	KTC3199TP-GR	
	C 353	GJ270124760310	E.CAPACITOR	16V M 47UF			Q 307	GJ312030111210	TRANSISTOR	KTC3199TP-GR	
	C 354	GJ270122260310	E.CAPACITOR	16V VX M 22UF			Q 331	GJ312030131210	TRANSISTOR	KTC3200 (GR)	
	C 355	GJ270141060310	E.CAPACITOR	25V VX M 10UF			Q 332	GJ312011911210	TRANSISTOR	KTA1268(GR)	
	C 381	GJ116259621	A.CAPACITOR	25V F Z 0.022UF			Q 333	GJ312010331203	TRANSISTOR	DTC114YS-TP	
	C 390	GJ270112270310	E.CAPACITOR	10V VX M 220UF			Q 334	GJ312010461303	TRANSISTOR	DTA114YS	
	C 901	GJ283106832415	POL FILM CAPACITOR	50V K 0.068UF			Q 335	GJ312010461303	TRANSISTOR	DTA114YS	
	C 902	GJ283106832415	POL FILM CAPACITOR	50V K 0.068UF			Q 336	GJ312030111210	TRANSISTOR	KTC3199TP-GR	
	C 903	GJ283106832415	POL FILM CAPACITOR	50V K 0.068UF			Q 337	GJ312030111210	TRANSISTOR	KTC3199TP-GR	
	C 904	GJ283106832415	POL FILM CAPACITOR	50V K 0.068UF			Q 338	GJ312030111210	TRANSISTOR	KTC3199TP-GR	
△	C 905	GJ270193380610	E.CAPACITOR	50V SM M 3300UF			Q 339	GJ312010331203	TRANSISTOR	DTC114YS-TP	
△	C 906	GJ270193380610	E.CAPACITOR	50V SM M 3300UF			Q 901	GJ872999343	TRANSISTOR	2SA934(R)	
	C 907	GJ264291042101	A.CAPACITOR	0.1MF F-F 50V			Q 902	GJ312010331203	TRANSISTOR	DTC114YS-TP	
	C 908	GJ264291042101	A.CAPACITOR	0.1MF F-F 50V			Q 903	GJ312010331203	TRANSISTOR	DTC114YS-TP	
	C 909	GJ264291042101	A.CAPACITOR	0.1MF F-F 50V		△	Q 904	GJ312011241210	TRANSISTOR	KTB1366Y	
	C 910	GJ264291042101	A.CAPACITOR	0.1MF F-F 50V			Q 905	GJ312030111210	TRANSISTOR	KTC3199TP-GR	
	C 911	GJ270144780110	E.CAPACITOR	25V M 4700UF			Q 906	GJ312030111210	TRANSISTOR	KTC3199TP-GR	
	C 912	GJ270304760314	E.CAPACITOR	63V VX M 47UF			Q 907	GJ312011241210	TRANSISTOR	KTB1366Y	
	C 913	GJ270192260310	E.CAPACITOR	50V VX M 22UF			Q 908	GJ312011231210	TRANSISTOR	KTA1267Y	
	C 914	GJ116230621	A.CAPACITOR	16V Y M 0.01UF			Q 909	GJ312010461303	TRANSISTOR	DTA114YS	
	C 915	GJ270192260310	E.CAPACITOR	50V VX M 22UF			Q 910	GJ312010461303	TRANSISTOR	DTA114YS	
	C 916	GJ270141060310	E.CAPACITOR	25V VX M 10UF			Q 911	GJ312030111210	TRANSISTOR	KTC3199TP-GR	
	C 917	GJ270192250310	E.CAPACITOR	50V VX M 2.2UF			Q 912	GJ312010331203	TRANSISTOR	DTC114YS-TP	
	C 918	GJ116230621	A.CAPACITOR	16V Y M 0.01UF			R 117	GJ250032222199	CARBON RESISTOR	1/4WM J 2.2K	
	C 919	GJ270111070310	E.CAPACITOR	10V M 100UF			R 118	GJ250034722199	CARBON RESISTOR	1/4WM J 4.7K	
	C 920	GJ264141042199	A.CAPACITOR	50V K B 0.1MF			R 119	GJ250031032199	CARBON RESISTOR	1/4WM J 10K	
	C 921	GJ270121070310	E.CAPACITOR	16V VX M 100UF			R 120	GJ250035632199	CARBON RESISTOR	1/4WM J 56K	
	C 922	GJ270141060310	E.CAPACITOR	25V VX M 10UF			R 121	GJ250031522199	CARBON RESISTOR	1/4WM J 1.5K	
	CN101	GJ340072040102	CONNECTOR	4PIN			R 123	GJ250034732199	CARBON RESISTOR	1/4WM J 47K	
	CN901	GJ340022110102	FFC CONNECTOR	FFC/FPC 11PIN			R 124	GJ250031522199	CARBON RESISTOR	1/4WM J 1.5K	
	CN92A	GJ340072040102	CONNECTOR	4PIN		△	R 125	GJ259222281709	RESISTOR	2W K 0.22	
	CN92B	GJ340072040102	CONNECTOR	4PIN		△	R 126	GJ259222281709	RESISTOR	2W K 0.22	
	CN92C	GJ340072030102	CONNECTOR	3PIN		△	R 127	GJ255051511611	FUSIBLE RESISTOR	1/4W J 150	
	CN95A	GJ340072040102	CONNECTOR	4PINS			R 128	GJ250032202199	CARBON RESISTOR	1/4WM J 22	
	CN95B	GJ340072050102	CONNECTOR	5PINS			R 129	GJ250032202199	CARBON RESISTOR	1/4WM J 22	
	D 304	GJ871999133	DIODE	1SS133T-77			R 130	GJ250032202199	CARBON RESISTOR	1/4WM J 22	
	D 317	GJ871999133	DIODE	1SS133T-77			R 131	GJ250031032199	CARBON RESISTOR	1/4WM J 10K	
	D 318	GJ871999133	DIODE	1SS133T-77		△	R 132	GJ255053911611	FUSIBLE RESISTOR	1/4W J 390	
	D 325	GJ871999133	DIODE	1SS133T-77		△	R 133	GJ255053911611	FUSIBLE RESISTOR	1/4W J 390	
	D 326	GJ871999133	DIODE	1SS133T-77			R 134	GJ250031032199	CARBON RESISTOR	1/4WM J 10K	
	D 327	GJ871999133	DIODE	1SS133T-77			R 136	GJ250031022199	CARBON RESISTOR	1/4WM J 1K	
△	D 901	GJ310020320223	DIODE	TS6B02G			R 137	GJ250031042199	CARBON RESISTOR	1/4WM J 100K	
△	D 902	GJ310020020104	DIODE	1N4001			R 138	GJ250031022199	CARBON RESISTOR	1/4WM J 1K	
△	D 903	GJ310020020104	DIODE	1N4001			R 139	GJ250031032199	CARBON RESISTOR	1/4WM J 10K	
△	D 904	GJ310020020104	DIODE	1N4001			R 151	GJ250031532199	CARBON RESISTOR	1/4WM J 15K	
△	D 905	GJ310020020104	DIODE	1N4001			R 152	GJ250032202199	CARBON RESISTOR	1/4WM J 22	

■ Electrical parts list (Amp lifier board)

Block No. 03

△	Item	Parts number	Parts name	Remarks	Area
	R 217	GJ250032222199	CARBON RESISTOR	1/4WM J 2.2K	
	R 219	GJ250031032199	CARBON RESISTOR	1/4WM J 10K	
	R 220	GJ250035632199	CARBON RESISTOR	1/4WM J 56K	
	R 221	GJ250031522199	CARBON RESISTOR	1/4WM J 1.5K	
	R 223	GJ250034732199	CARBON RESISTOR	1/4WM J 47K	
	R 224	GJ250031522199	CARBON RESISTOR	1/4WM J 1.5K	
△	R 225	GJ259222281709	RESISTOR	2W K 0.22	
△	R 226	GJ259222281709	RESISTOR	2W K 0.22	
△	R 227	GJ255051511611	FUSIBLE RESISTOR	1/4W J 150	
	R 228	GJ250032202199	CARBON RESISTOR	1/4WM J 22	
	R 229	GJ250032202199	CARBON RESISTOR	1/4WM J 22	
	R 230	GJ250032202199	CARBON RESISTOR	1/4WM J 22	
	R 231	GJ250031032199	CARBON RESISTOR	1/4WM J 10K	
△	R 232	GJ255053911611	FUSIBLE RESISTOR	1/4W J 390	
△	R 233	GJ255053911611	FUSIBLE RESISTOR	1/4W J 390	
	R 234	GJ250031032199	CARBON RESISTOR	1/4WM J 10K	
	R 235	GJ250031032199	CARBON RESISTOR	1/4WM J 10K	
	R 236	GJ250031022199	CARBON RESISTOR	1/4WM J 1K	
	R 237	GJ250031042199	CARBON RESISTOR	1/4WM J 100K	
	R 238	GJ250031022199	CARBON RESISTOR	1/4WM J 1K	
	R 239	GJ250031032199	CARBON RESISTOR	1/4WM J 10K	
	R 250	GJ250032202199	CARBON RESISTOR	1/4WM J 22	
	R 251	GJ250031532199	CARBON RESISTOR	1/4WM J 15K	
	R 313	GJ250034712199	CARBON RESISTOR	1/4WM J 470	
	R 314	GJ250034742199	CARBON RESISTOR	1/4WM J 470K	
	R 315	GJ250032222199	CARBON RESISTOR	1/4WM J 2.2K	
	R 381	GJ250031042199	CARBON RESISTOR	1/4WM J 100K	
	R 382	GJ250032232199	CARBON RESISTOR	1/4WM J 22K	
	R 383	GJ250034732199	CARBON RESISTOR	1/4WM J 47K	
	R 384	GJ250031032199	CARBON RESISTOR	1/4WM J 10K	
	R 385	GJ250031042199	CARBON RESISTOR	1/4WM J 100K	
	R 386	GJ250031002199	CARBON RESISTOR	1/4WM J 10	
	R 387	GJ250031502199	CARBON RESISTOR	1/4WM J 15	
	R 388	GJ250032222199	CARBON RESISTOR	1/4WM J 2.2K	
	R 389	GJ250031032199	CARBON RESISTOR	1/4WM J 10K	
	R 390	GJ250035612199	CARBON RESISTOR	1/4WM J 560	
	R 391	GJ250032222199	CARBON RESISTOR	1/4WM J 2.2K	
	R 901	GJ250034722199	CARBON RESISTOR	1/4WM J 4.7K	
△	R 902	GJ255051011611	FUSIBLE RESISTOR	1/4W J 100	
	R 903	GJ250032222199	CARBON RESISTOR	1/4WM J 2.2K	
	R 904	GJ250031012199	CARBON RESISTOR	1/4WM J 100	
	R 905	GJ250031012199	CARBON RESISTOR	1/4WM J 100	
	R 906	GJ250031032199	CARBON RESISTOR	1/4WM J 10K	
	R 907	GJ250031022199	CARBON RESISTOR	1/4WM J 1K	
△	R 908	GJ255052291611	FUSIBLE RESISTOR	1/4W J 2.2	
	R 909	GJ250034732199	CARBON RESISTOR	1/4WM J 47K	
	R 910	GJ250032232199	CARBON RESISTOR	1/4WM J 22K	
	R 911	GJ250033322199	CARBON RESISTOR	1/4WM J 3.3K	
	R 912	GJ250034712199	CARBON RESISTOR	1/4WM J 470	
	R 913	GJ250034712199	CARBON RESISTOR	1/4WM J 470	
	R 914	GJ250031092199	CARBON RESISTOR	1/4WM J 1	
	R 915	GJ250031092199	CARBON RESISTOR	1/4WM J 1	
	R 916	GJ250031092199	CARBON RESISTOR	1/4WM J 1	
	R 917	GJ250031022199	CARBON RESISTOR	1/4WM J 1K	
	RY301	GJ391000080002	RELAY	(12V)	
	R2118	GJ250034722199	CARBON RESISTOR	1/4WM J 4.7K	

■ Electrical parts list (Power supply board)

Block No. 04

△	Item	Parts number	Parts name	Remarks	Area
	C 1	GJ112651391	E.CAPACITOR	47MF 6.3V	
	C 2	GJ116303891	CHIP C.CAPACITOR	0.1UF F (2012)25V	
	C 3	GJ116325191	CHIP C.CAPACITOR	100PF (2012)	
	C 4	GJ116325191	CHIP C.CAPACITOR	100PF (2012)	
	C 5	GJ116303891	CHIP C.CAPACITOR	0.1UF F (2012)25V	
	D 1	GJ374502042103	LED	SIR-563ST3F	
△	F 951	GJ369000610009	FUSE	2A 250V	
△	F 952	GJ369000600009	FUSE	1.6A 250V	
	FU951	GJ153321741	FUSE HOLDER	FOR TWE USE	
	FU952	GJ153321741	FUSE HOLDER	FOR TWE USE	
	FW951	GJ353090190107	CABLE FLAT	9PINS	
	IC 1	GJ313060851302	IC	UPD6134MC-114-5A4-E1	
	J 1	GJ121629691	CHIP CONDUCTOR	0 OHM (3216)	
	Q 1	GJ312010941203	CHIP TRANSISTOR	2SD1781KQ	
	R 1	GJ121780691	CHIP RESISTOR	1 OHM (3216) 5%	
	R 2	GJ121601191	CHIP RESISTOR	27 OHM (2012) 1/10W	
	R 951	GJ251273352201	CARBON RESISTOR	1/2W 3.3M 5%	
	TB901	GJ27000010000	SOLDERING	TP00473-41	
	TB902	GJ27000010000	SOLDERING	TP00473-41	
	X 1	GJ362000020002	C.RESONATOR	CSB455	

< MEMO >

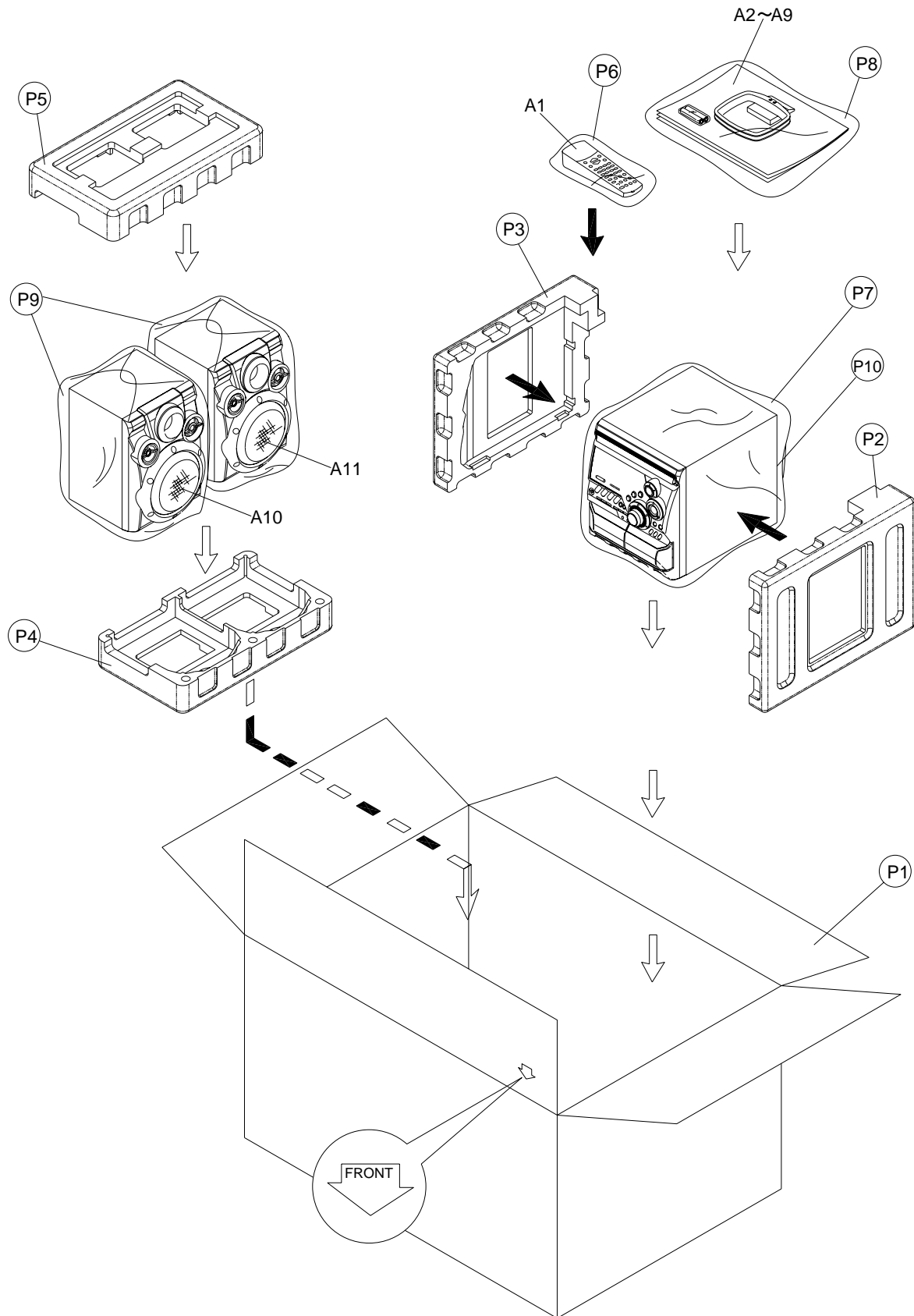
Packing materials and accessories parts list

Block No.

M	4	M	M
---	---	---	---

Block No.

M	5	M	M
---	---	---	---



Parts list (Packing)

Block No. M4MM

△	Item	Parts number	Parts name	Q'ty	Description	Area
	P 1	GJ560531800101	CARTON	1	MX-K3 J	
		GJ560533400101	CARTON	1	MX-K3 C	
	P 2	GJ560531300101	POLY FORM	1	RIGHT	
	P 3	GJ560531200101	POLY FORM	1	LEFT	
	P 4	GJ560531000101	POLY FORM	1	BOTTOM	
	P 5	GJ560530900101	POLY FORM	1	TOP	
	P 6	GJ740082550400	POLY BAG	1	REMOTE CONTROL	
	P 7	GJ740666420300	POLY BAG	1	SET	
	P 8	GJ740362550000	POLY BAG	1	INSTRUCTIONS	
	P 9	GJ740486230300	POLY BAG	2	SPEAKER BOX	
	P 10	GJ740122550000	POLY BAG	1	AC POWER CORD	

Parts list (Accessories)

Block No. M5MM

△	Item	Parts number	Parts name	Q'ty	Description	Area
	A 1	GJA1002032001C	REMOTE CONTROL	1		
	A 2	GJ460220010201	ANTENNA LOOP	1		
	A 3	-----	BATTERY	2	R6SPTT/2STA	
	A 4	GJ773012490101	INSTRUCTIONS	1	ENG	J
		GJ773012520101	INSTRUCTIONS	1		C
	A 5	GJ351001402431	ANTENNA WIRE	1		
	A 6	GJ775000140101	SAFETY GUID	1	BT-2004G	J
	A 7	GJ775000400101	REGISTRATION CARD	1		J
	A 8	GJ773030410101	WARRANTY CARD	1	BT-52002-1	C
	A 9	GJ775000200202	SVC LIST	1	BT-2007-1B	C
	A 10	MXK3R-SPBOX-L	SPEAKER BOX L	1		
	A 11	MXK3R-SPBOX-R	SPEAKER BOX R	1		